

Splice Closure Fiber (SCF) Family

A LANscape®
Solutions Product

features and benefits |

Sealed butt-style closure	Environmental protection
Aerial, wall, pole, direct buried	Variety of applications
Ribbon reel-end to reel-end splicing	No additional splice trays required (ORS)
Split end caps	Easy installation of uncut cables
Modular fiber management system	Flexibility of configurations
Telcordia GR-771 tested	Reliability and durability

Corning Cable Systems Splice Closure Fiber (SCF) Family is designed for splicing fibers in aerial, duct and buried applications. These sealed canister closures are available in single-fiber loose tube (72 to 576) and ribbon fiber (288 to 1296) configurations. Allowing reel-end to reel-end splicing in the open ribbon system (ORS), the SCF closures offer split end caps for convenient installation of uncut cables. The QUICK-SEAL™ Mechanical Seal drop cable ports allow quick and easy installation during the initial build or for future expansion. The consolidation of multiport tails for up to 24 flat cables is accomplished with the optional add-a-cable kits. Designed for configuration flexibility, these closures offer expanded slack storage, various tray heights and mass platform storage. The SCF splice closure family is RDUP listed and tested to meet Telcordia GR-771 requirements.



SCF-6C28-ORS | Photo TRCLS 030



SCF-6C28-02 | Photo TRCLS 031



SCF-8C28-01-F | Photo TRCLS 032

Splice Closure Fiber (SCF) Family

A LANscape®
Solutions Product

specifications |

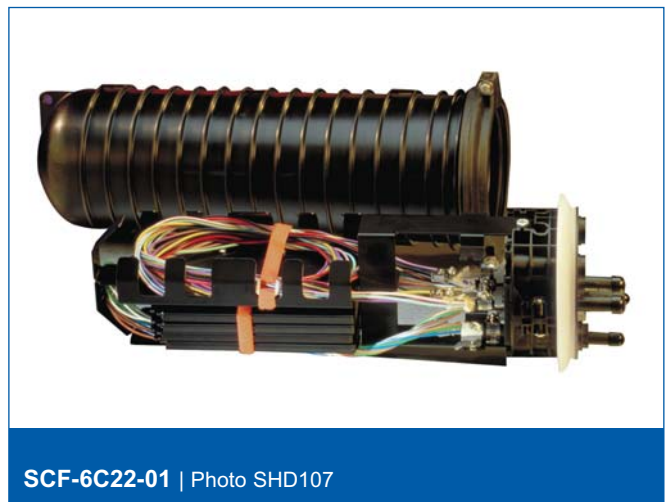
	Dimensions (W x L) mm (in)	Weight kg (lb)
SCF-4C18-01	113 x 441 (4.6 x 18)	2.2 (6)
SCF-6C22	168 x 550 (6.6 x 22)	5.18 (14)
SCF-6C28	168 x 711 (6.6 x 28)	5.92 (16)
SCF-8C28	201 x 711 (8.2 x 28)	8.14 (22)
	Dimensions (W x L) mm (in)	Weight kg (lb)

Shipping Package

SCF-4C18-01	6 3/8 x 6 3/8 x 23	2.96 (8)
SCF-6C22	8 3/4 x 8 3/4 x 26 1/2	5.92 (16)
SCF-6C28	8 3/4 x 8 3/4 x 32 1/2	6.66 (18)
SCF-8C28	10 x 10 x 33	9.25 (25)

Note:

- 1) Each 4-in canister is equipped to install 1 of the 3 available drop ports, ground for 2 cables.
- 2) Each 6-in canister is equipped to install 2 of the 4 available drop ports, ground for 2 cables.
- 3) Each 8-in canister is equipped to install 2 of the 6 available drop ports, ground for 2 cables.



Splice Closure Fiber (SCF) Family

A LANscape®
Solutions Product

specifications | (continued)

	4-inch Canister 18 in LID	6-inch Canister 22 in LID	6-inch Canister 28 in LID	8-inch Canister 28 in LID
Internal Diameter mm (in)	113 (4.6)	168 (6.6)	168 (6.6)	201 (8.2)
Outside Diameter with Clamp mm (in)	179 (7.3)	198 (7.8)	198 (7.8)	296 (12.1)
Dome Length mm (in)	441 (18)	550 (22)	711 (28)	711 (28)
Ground Feed Through Cable Entries	1	1	1	1
Ports	5	6	6	8
Feeder/Express mm (in)	2 x 12 - 20 (2 x 0.5 - 0.8)	12 - 25 (2 x 0.5 - 1)	12 - 25 (2 x 0.5 - 1)	12 - 32 (2 x 0.5 - 1.3)
Drops (cut) mm (in)	0.2 x 0.6 (3 x 5 - 15)	4 x 0.2 - 0.7 (5 - 18)	4 x 0.2 - 0.7 (5 - 18)	6 x 5.1 (12 - 25)
Flat Drop Consolidation	6	8	8	24
Flat Drop Grommet Kit Part Number (1 pc)	SCF-KT-G42-F	SCF-KT-G62-F	SCF-KT-G62-F	SCF-KT-G84-F



Splice Closure Fiber (SCF) Family

A LANscape®
Solutions Product

specifications | (continued)

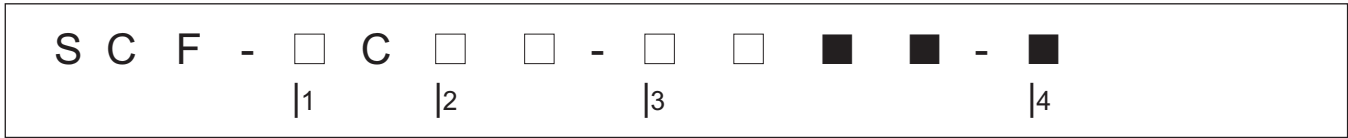
End Cap

	4-inch Canister 18 in LID	6-inch Canister 22 in LID	6-inch Canister 28 in LID	8-inch Canister 28 in LID
	SCF-4C18-01 (only configuration) 72 splices			
Description (D x L) in	4 x 18	6 x 22	6 x 28	8 x 28
Splicing Capacity-01	N/A	72	144	240
Splicing Capacity-01-F	N/A	96	192	288
Splicing Capacity-02	N/A	144	288	480
Splicing Capacity-02-F	N/A	192	384	576
Splicing Capacity-ORS	N/A	288	432	864
Splicing Capacity-XORS	N/A	N/A	N/A	1296
Trays 0.2 in for Single-Fiber Splices Only	SCF-ST-099	SCF-ST-099	SCF-ST-112	SCF-ST-112
Trays 0.4 in for Single-Fiber or Mass Splices (for -F only)	N/A	SCF-ST-116	SCF-ST-077	SCF-ST-077

Splice Closure Fiber (SCF) Family

A LANscape®
Solutions Product

ordering information | Note: Shaded boxes are optional selections.

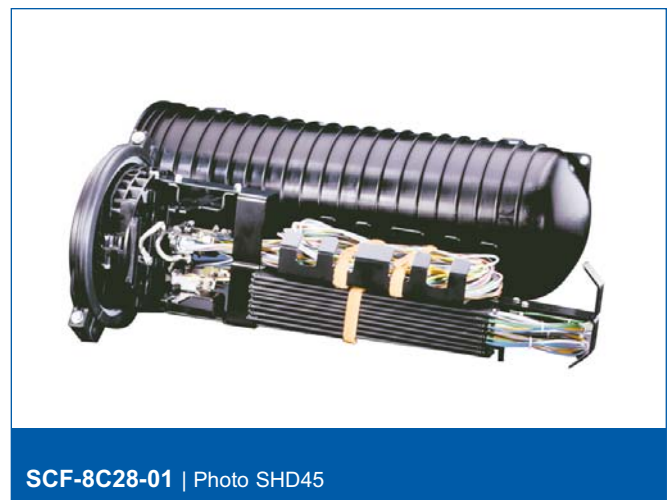
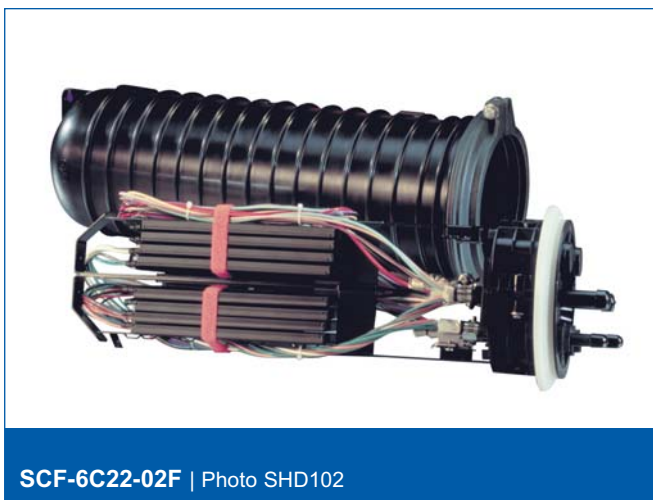


|1
Select closure diameter.
4 = 4 in
6 = 6 in
8 = 8 in

|2
Select closure length.
18 = 18 in (4 in only)
22 = 22 in (6 in only)
28 = 28 in (6 in and 8 in)

|3
Select fiber management configuration.
01 = Full slack storage basket - tray stacker
02 = Reduced slack storage - 2 tray stackers
ORS = 6 in and 8 in only (open ribbon system - does not require trays)
XORS = 8 in only (open ribbon system - does not require trays)

|4
Select splice tray stacker configuration.
Blank = 0.2-in tray height (single-fiber)
F = 0.4-in tray height (single-fiber or ribbon)



Splice Closure Fiber (SCF) Family

A LANscape®
Solutions Product

ordering information | (continued)

Part Number	Description
Accessories	
SCF-KT-GND	SCF Ground Kit, all sizes (2 bond clamps and leads)
UCN-GND-SC20	Ground Bonds, small with central member strain-relief (20 pack)
UCN-GND-S20	Ground Bonds, small (20 pack)
UCN-GNDCBL-20	Ground Leads (20 pack)
UCN-KT-LB	Silicone Lubricant for dome seal (10 pack)
SCF-KT-ECR4	End Cap Kit - end cap, hardware, tape, paste, tool and lube, 4 in
SCF-KT-ECR6	End Cap Kit - end cap, hardware, tape, paste, tool and lube, 6 in
SCF-KT-ECR8	End Cap Kit - end cap, hardware, tape, paste, tool and lube, 8 in
BKT-SC-C	Aerial Hanging Bracket SCF (all sizes)
SCF-POLE-BKT4	Pole/Wall Bracket, 4 in
SCF-POLE-BKT6	Pole/Wall Bracket, 6 in
SCF-POLE-BKT8	Pole/Wall Bracket, 8 in
Add-a-Cable Kits	
SCF-KT-4CBL	Add-a-Cable Kit for round drop cable in 4-in end cap (1 pack)
SCF-KT-6CBL	Add-a-Cable Kit for round drop cables in 6-in end cap (2 pack)
SCF-KT-8CBL	Add-a-Cable Kit for round drop cables in 8-in end cap (2 pack)
SCF-KT-G42-F	(1) 2-Hole Grommet Kit for 5 x 10 mm flat cable, 4 in
SCF-KT-G62-F	(1) 2-Hole Grommet Kit for 5 x 10 mm flat cable, 6 in
SCF-KT-G84-F	(1) 4-Hole Grommet Kit for 5 x 10 mm flat cable, 8 in
SCF-KT-G62-6	(1) 2-Hole Grommet Kit for 5 to 7 mm round cable, 6 in
SCF-KT-G62-8	(1) 2-Hole Grommet Kit for 7 to 9 mm round cable, 6 in
SCF-KT-G82-6	(1) 2-Hole Grommet Kit for 5 to 7 mm round cable, 8 in
SCF-KT-G83-11	(1) 3-Hole Grommet Kit for 10 to 12 mm round cable, 8 in

Splice Closure Fiber (SCF) Family

A LANscape®
Solutions Product

notes |

PRETERMINATED SYSTEMS | CABLES | CONNECTORS | CABLE ASSEMBLIES | HARDWARE | SPLICE CLOSURES | TEST EQUIPMENT | SPLICE EQUIPMENT | TRAINING |

