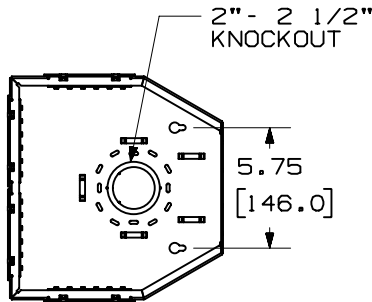
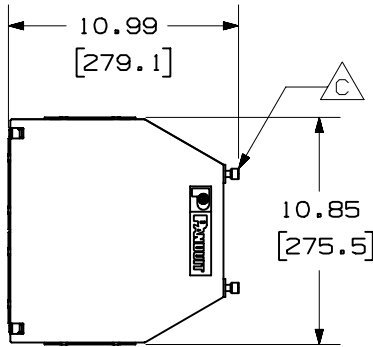


THIS COPY IS PROVIDED ON A RESTRICTED BASIS AND IS NOT TO BE USED IN ANY WAY DETRIMENTAL TO THE INTERESTS OF PANDUIT CORP.

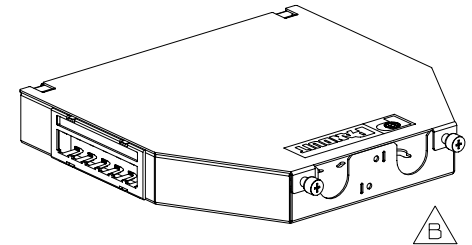
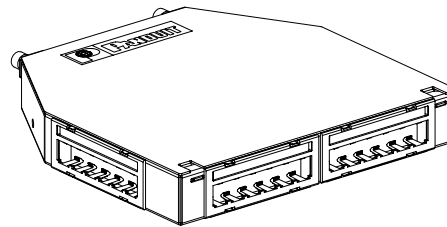
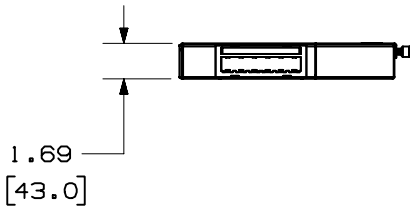


COVER REMOVED FOR CLARITY

PANDUIT P/N	WEIGHT
CUFMB24BL	2.12 LB/EACH PC (961.6 g/EACH PC)

NOTES:

- SEE CURRENT CATALOG FOR ADDITIONAL PART NUMBER SUFFIXES TO INDICATE COLOR AND OR PACKAGE QUANTITY.
- SEE CATALOG FOR COMPLETE LIST OF PARTS APPLICABLE FOR USE WITH THIS PART.
- DIMENSIONS IN PARENTHESES ARE IN METRIC.
- PART INCLUDES:
 - 1- METAL BODY
 - 4- 6 POSITION FACEPLATE
 - 1- FACEPLATE LABEL/LABEL COVER KIT WHICH INCLUDES:
 - 4 LABELS AND 4 LABEL COVERS
 - 1- COVER
 - 4- TAK-TY™
 - 1- 48 PORT IDENTIFICATION LABEL



CAD FILENAME/LAYERS M01032AA_DC_03A.PRT

PANDUIT CORP. TINLEY PARK, ILLINOIS

MINI-COM™ 24 PORT CONSOLIDATION POINT BOX (CUFMB24BL) CUSTOMER DRAWING

UNLESS OTHERWISE SPECIFIED, DIMENSIONAL TOLERANCES ARE:
 (.X) ± (.XXX) ± .010 (.3)
 (.XX) ± .03 (.8) ANGLES ±

UNLESS OTHERWISE SPECIFIED, ALL DIMENSIONS ARE GIVEN IN INCHES, THIRD ANGLE PROJECTION.

REV	DATE	BY	CHK	DESCRIPTION	ECN	CHK	CUST	SUP
2	4-24-02	JsP		C. REPLACED PUSH LATCHES WITH CAPTIVE SCREWS. B. REMOVED GROMMETS, PUT THEM IN CUFF-KIT.	01032-15			
1	12-28-01	JsP	PBD	A. ADDED 2" - 2 1/2" KNOCKOUT FEATURE.	01032-15			
R	8-31-01	JsP	AMJR	RELEASED TO PRODUCTION.	01032-15			

DRAWN BY JsP
 DATE 8-31-01
 CHECKED BY AMJR

MAT'L:
 .060" ALUMINUM

SCALE NONE
 DRAWING NO. 01032-15
 DWG SIZE A