






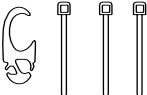
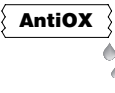

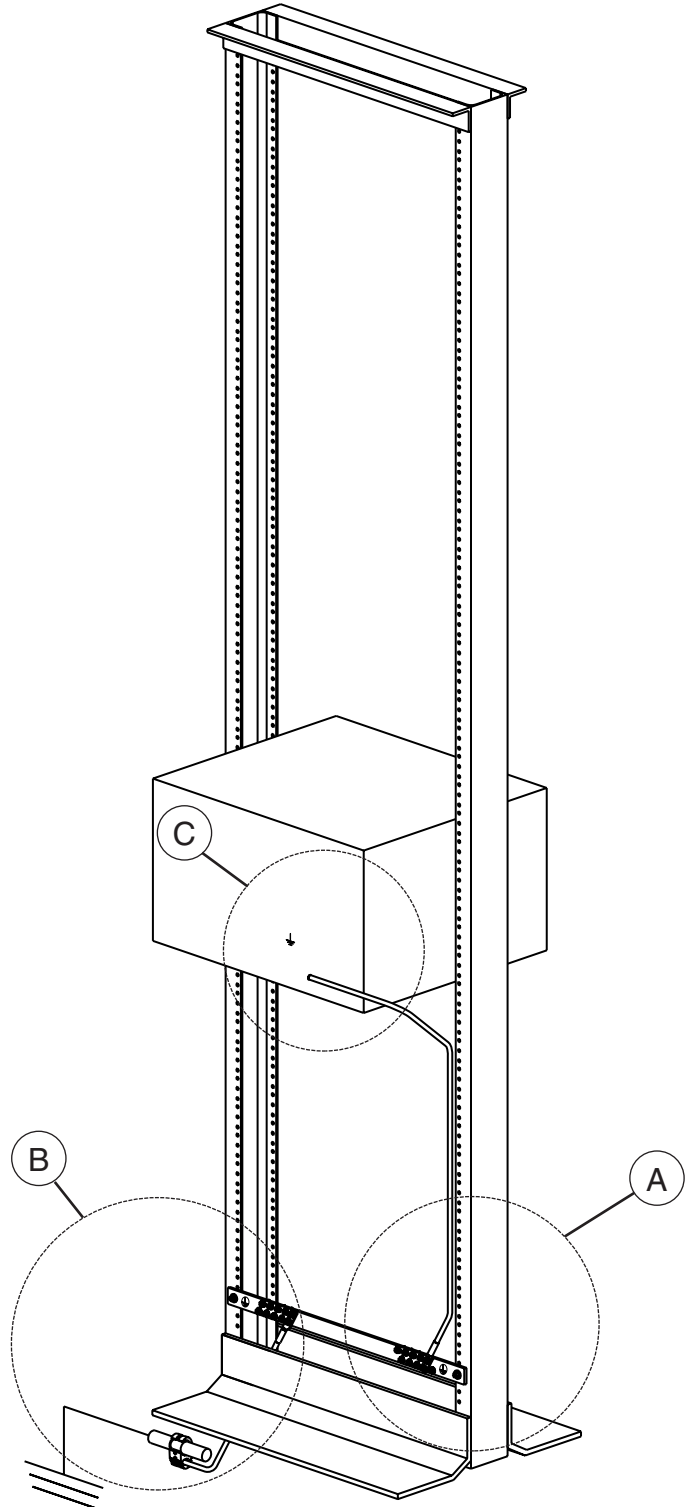


## INSTALLATION INSTRUCTIONS T-PMPI-269-PC

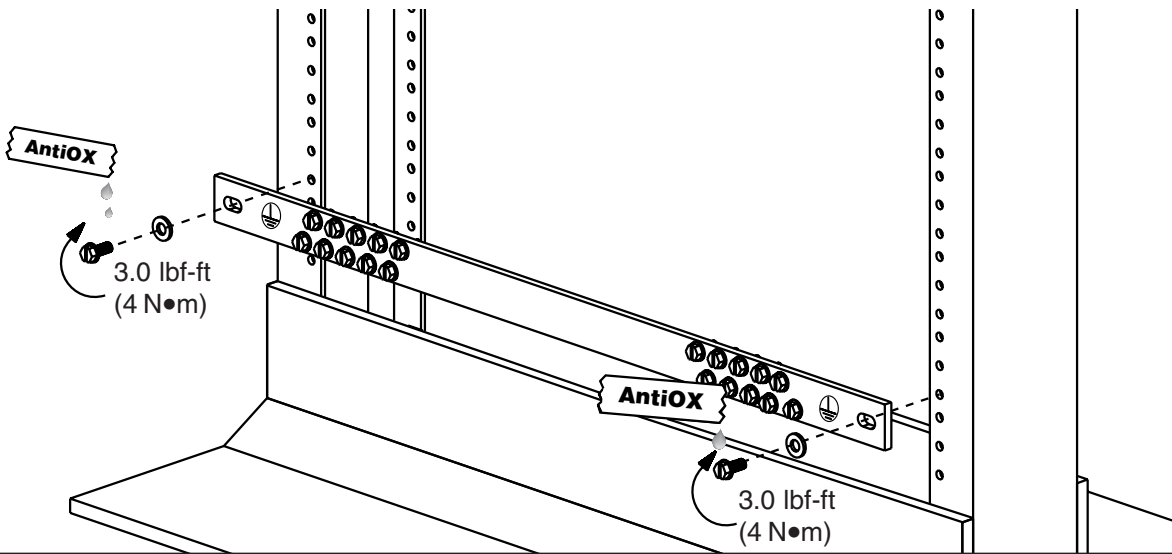
© PANDUIT Corp. 2006

	RGREJ96Y	RGREJ1096Y	RGFKCBNUY	RGFKCBNJEJY
 19" Universal Ground Bar	-	-	1	1
 M6 Screw	2	2	2	2
 12-24 Screw	2	2	2	2
 M5 Screw	2	2	2	2
 10-32 Screw	2	2	2	2
 12 Washer	-	-	2	2
 Jumper	1	1	1	2
 HTAP	-	-	1	1
 AntiOx	1	1	1	2
 Cleaning Pad	1	1	1	1

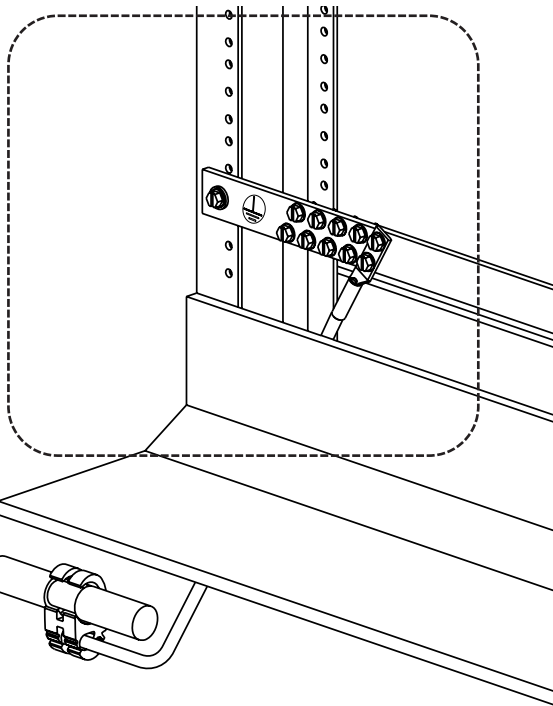


# INSTALLATION INSTRUCTIONS T-PMPI-269-PC

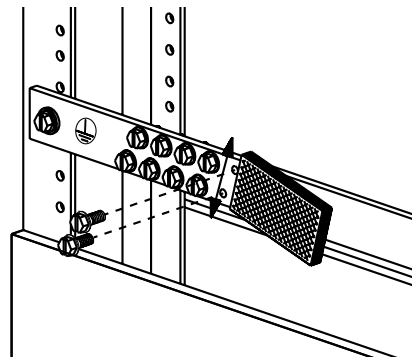
A



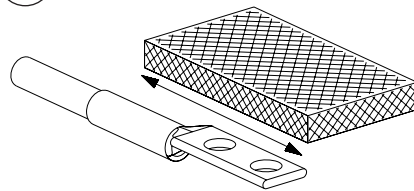
B1



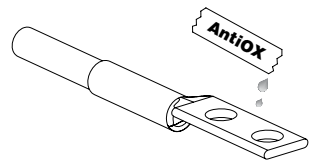
1



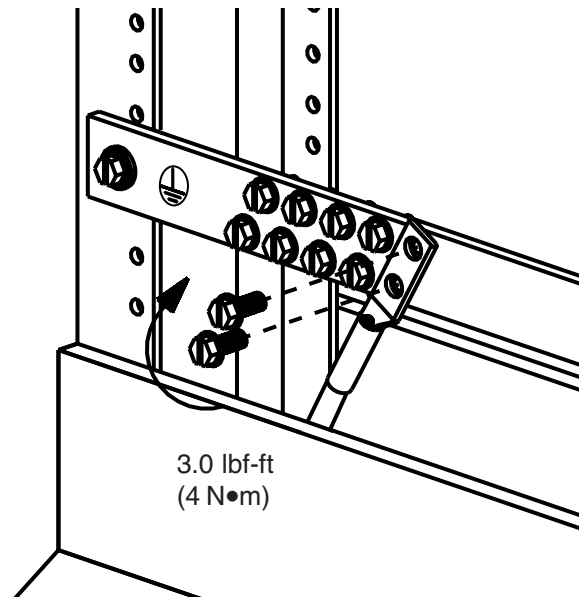
2



3

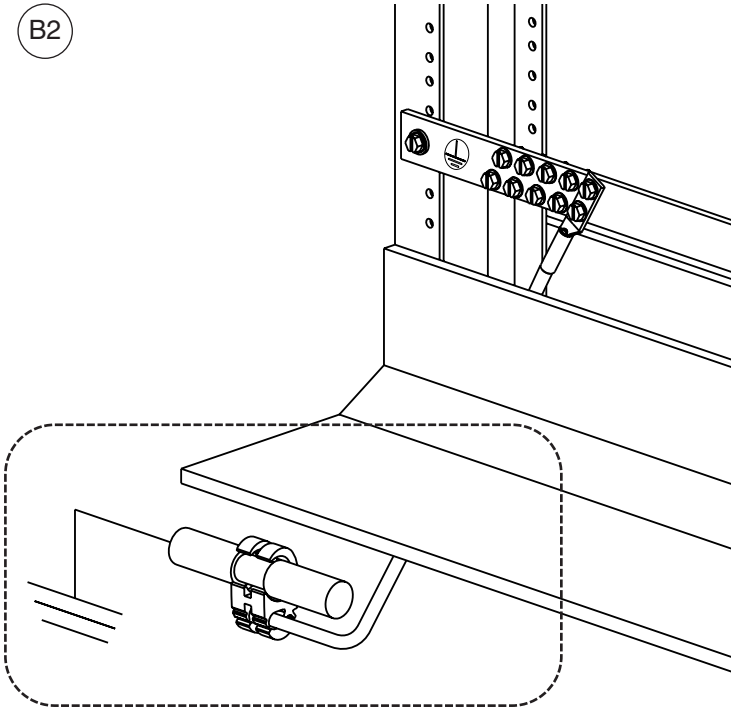


4

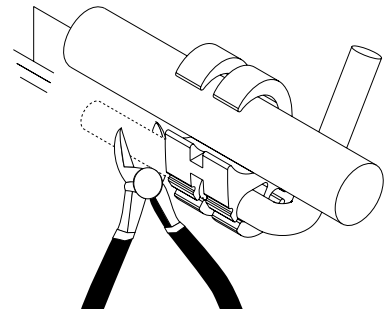


# INSTALLATION INSTRUCTIONS T-PMPI-269-PC

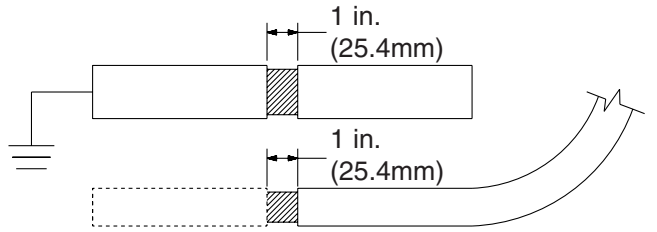
B2



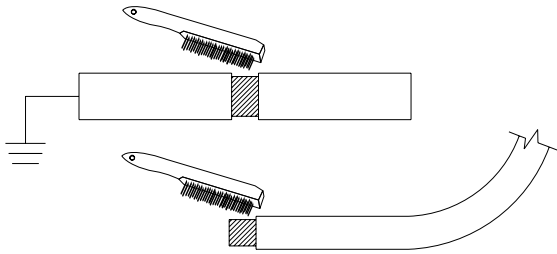
1



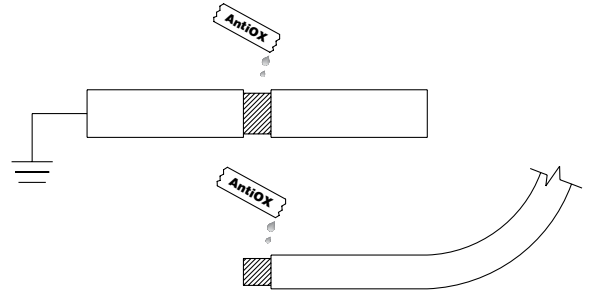
2



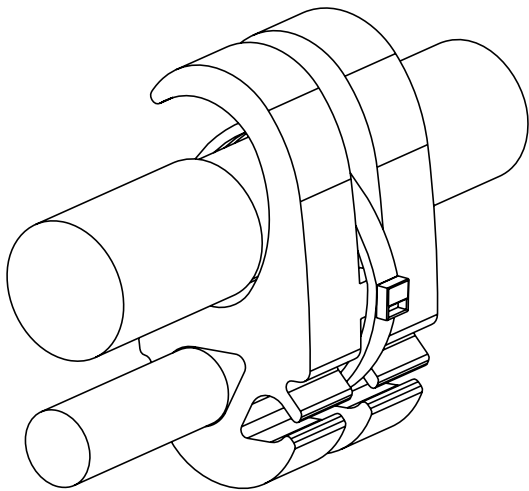
3



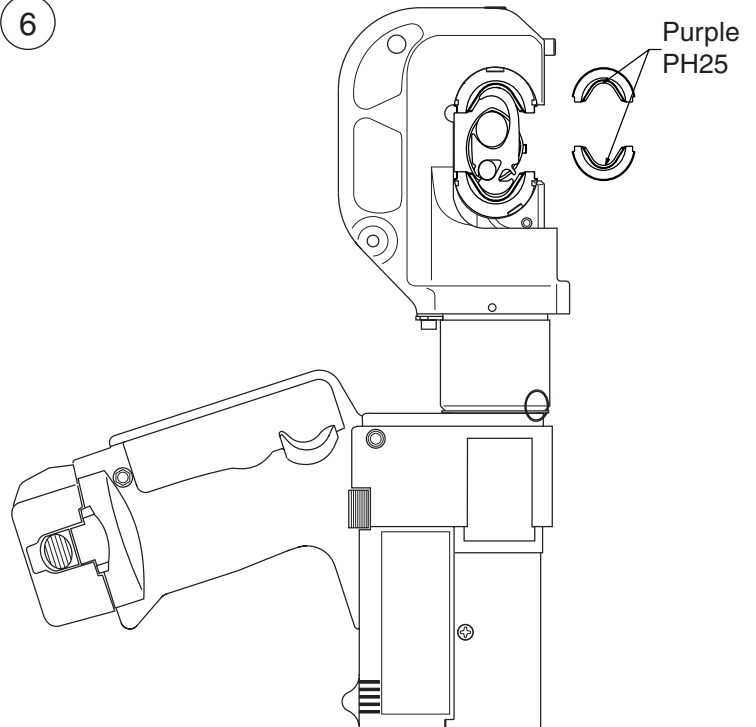
4



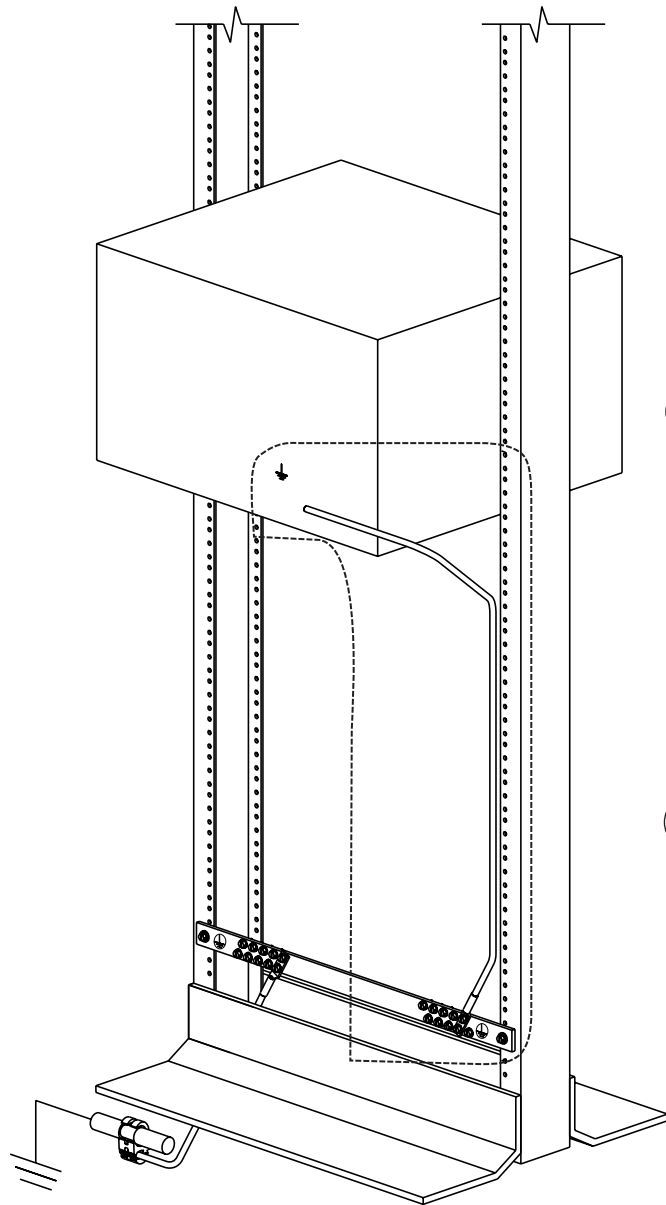
5



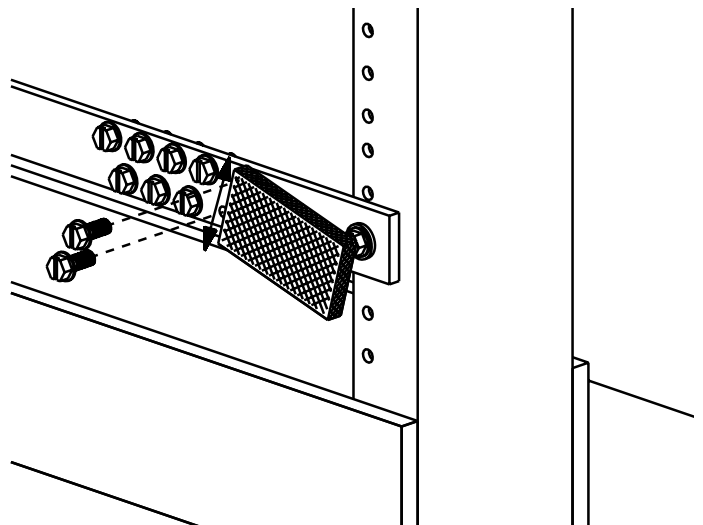
6



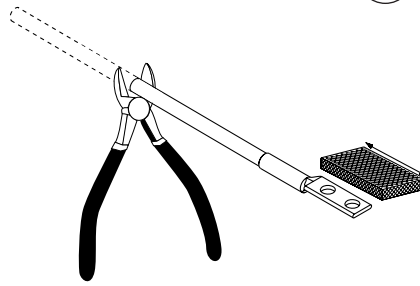
C



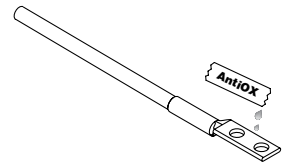
1



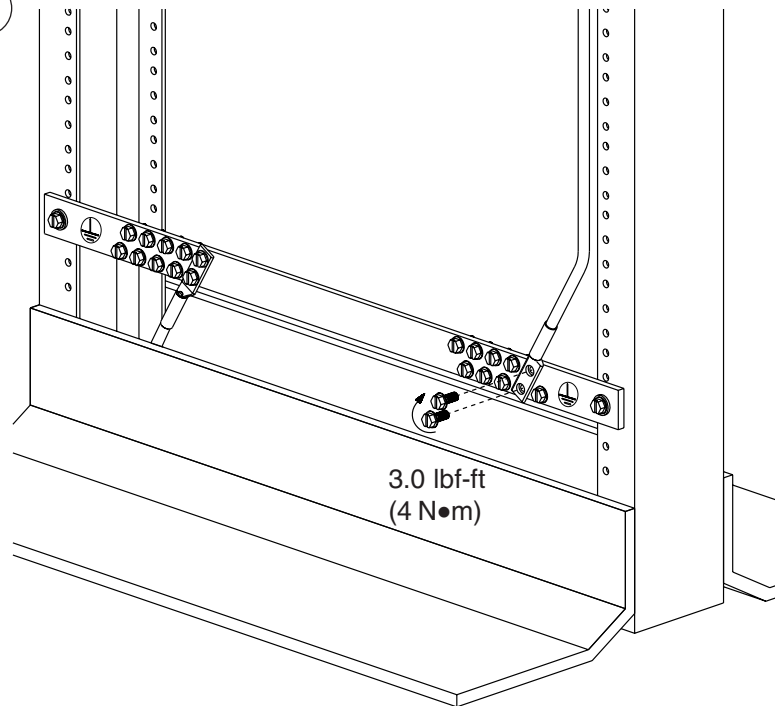
2



3



4



For Instructions in Local Languages  
and Technical Support:

[http://www.panduit.com/resources/install\\_maintain.asp](http://www.panduit.com/resources/install_maintain.asp)



[www.panduit.com](http://www.panduit.com)

E-mail:  
cs@panduit.com

Fax:  
(815)485-5839