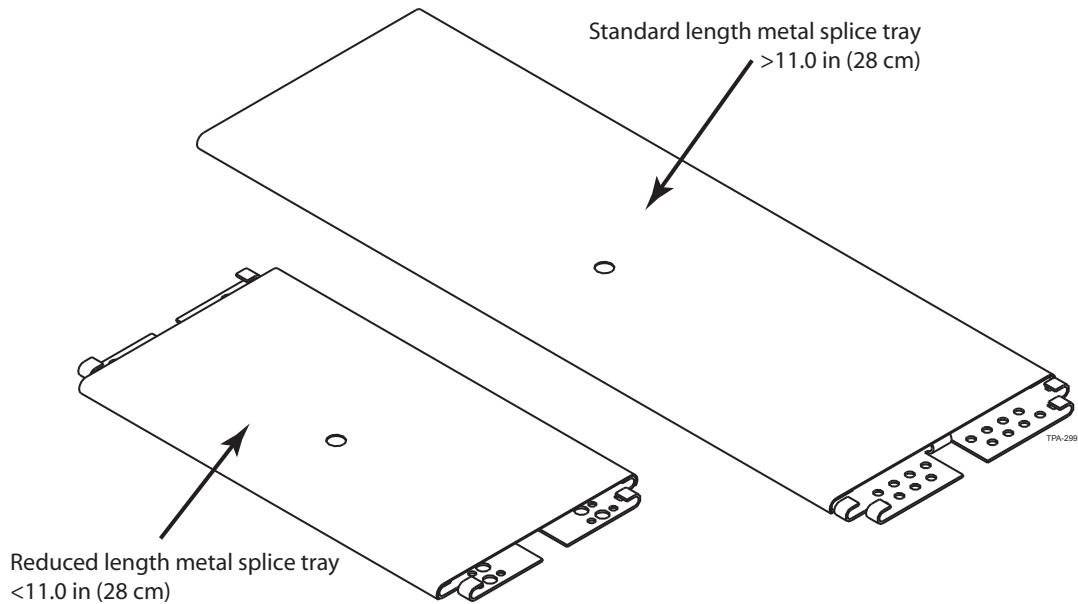


- Visit <http://www.corning.com/cablesystems/videos> for additional information and videos
- Visit www.corning.com/cablesystems/safety for full safety precautions



NOTE: Fiber optic cable is sensitive to excessive pulling, bending, and crushing forces. Consult the cable specification sheet for the cable you are installing. Do not bend the cable more sharply than the minimum recommended bend radius. Do not apply more pulling force to the cable than specified. Do not crush the cable or allow it to kink. Doing so may cause damage that can alter the transmission characteristics of the cable; the cable may have to be replaced.

1. PACKAGE COMPONENTS

Quantity dependent upon tray selection.

- (1) Splice Tray
- (1) Splice Tray Cover
- Cable ties
- Split grommets

2. TOOLS AND MATERIALS REQUIRED

- Mechanical splices
- Heat-shrink tubes
- Vinyl and/or friction tape
- Scissors

For RTV Applications Only:

- RTV 734 sealant or equivalent compound
- Spatula

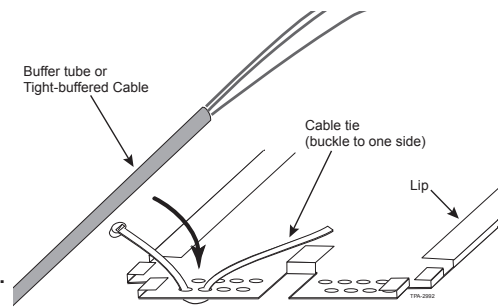
3. FIBER/CABLE PREPARATION

- Standard Length Tray: Expose 62 inches (157 cm) of 250 or 900 micron fiber
- Reduced Length Tray Expose 50 inches (127 cm) of 250 or 900 micron fiber

4. STRAIN-RELIEF

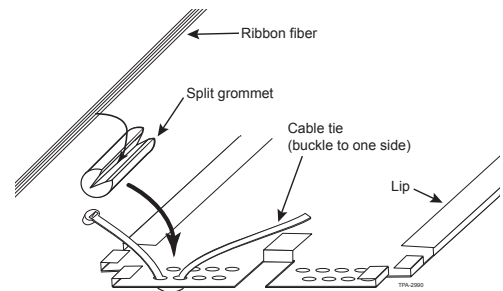
Loose Tube and Tight-buffered Cable

- Step 1:** Wrap at least one layer of vinyl or friction tape around the buffer tube or tight-buffered cable.
- Step 2:** Use two cable ties per tube/cable and secure to the center holes so that the fibers are guided under the lip.



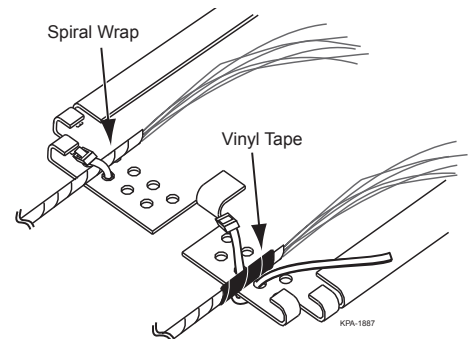
Ribbon (0.4-inch thick trays only)

- Step 1:** Place up to six 12-fiber ribbons into a split grommet provided with the tray.
- Step 2:** Use two cable ties per split grommet and secure to the center holes so that the fibers are guided under the lip.



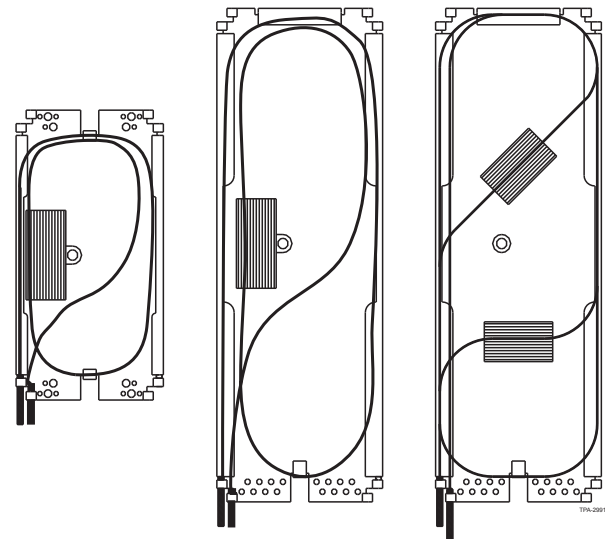
900 Micron Pigtailed

- **0.4-inch trays:** Insert up to six fibers into a split grommet and secure to tray with two cable ties so that the fibers are guided under the lip.
- **0.2-inch trays:** Wrap up to six fibers in 3/16-inch spiral wrap and secure to tray with two cable ties so that the fibers are guided under the lip.



5. FIBER ROUTING

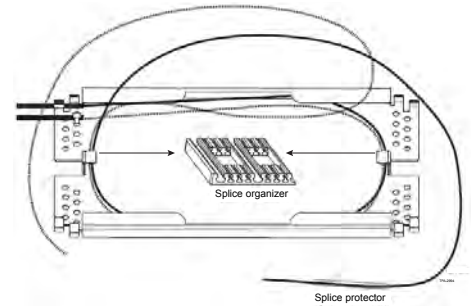
- Step 1:** Route the fiber in the tray as shown.
- Step 2:** Use a minimum of two loops-
- One cable/tube will have two loops, the other 2.5 loops.
- Step 3:** Bring fiber to the center of the organizer and add one inch (2.5 cm), then cut with scissors.
- Step 4:** If fibers are to be expressed through the tray (not spliced), attach tube or cable continuing on to the other side of the tray according to the instructions above.



6. SPLICING

Bring loops of fiber in towards the center of the tray, allowing the fiber ends to be placed closer to the splicing location.

NOTE: Do not remove the entire length of fiber from the tray or twist fibers as they are removed.



7. FUSION SPLICING

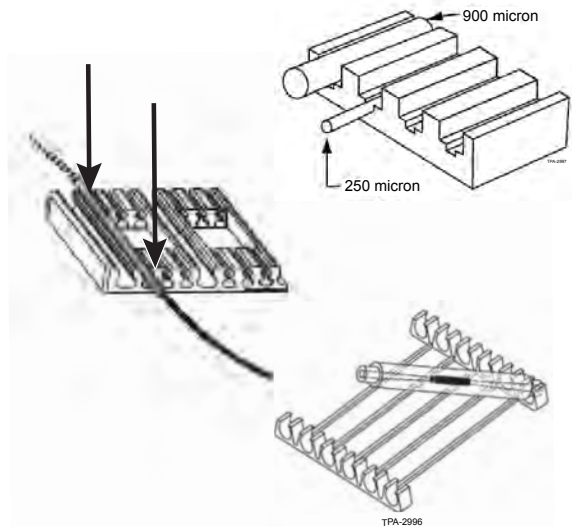
Splice according to instructions found with the splicer.

7.1. RTV splice protection:

- Step 1:** Use a spatula to gently press the spliced fibers into the grooves.
- Step 2:** Fill the grooves with fibers in them with RTV sealant.
- Step 3:** Allow sealant to dry before covering.

7.2. Heat-shrink splice protection:

- Step 1:** Allow heat-shrink tube to cool.
- Step 2:** Press heat-shrink tube down into holder with your fingers near the edges of the heatshrink tube.

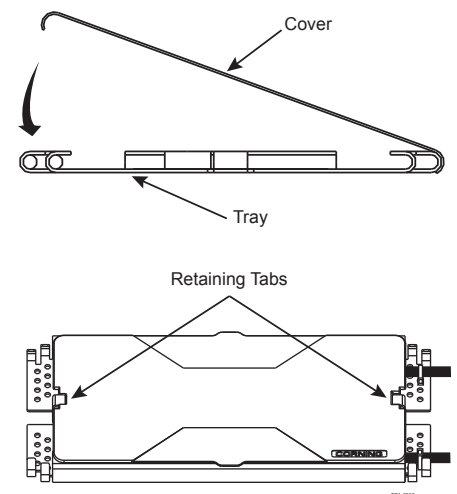


8. MECHANICAL SPLICING

- Step 1:** Splice according to instructions found with the splices.
- Step 2:** Align the splice over its holder and press one end in at a time.

9. FINISH

- Step 1:** Gently move loops of fiber back out towards the walls making sure all fibers are captured beneath the inside lip and fiber retaining tabs.
- Step 2:** Check bend radii of fibers inside tray.
- Step 3:** Snap cover into place.
 - If there is a hole in the cover, align it with the hole in the tray.
 - If your tray has a clear plastic cover, flex the cover so that the ends can slide under the retaining tabs at each end of the splice tray.
- Step 4:** If label is present, record information in a logical way.



Corning Cable Systems LLC • PO Box 489 • Hickory, NC 28603-0489 USA
1-800-743-2671 • FAX +1-828-325-5060 • International +1-828-901-5000 • <http://www.corning.com/cablesystems>

Corning Cable Systems reserves the right to improve, enhance, and modify the features and specifications of Corning Cable Systems' products without prior notification. ClearCurve is a registered trademark of Corning Incorporated. All trademarks are the properties of their respective owners. Corning Cable Systems is ISO 9001 certified.

© 2010 Corning Cable Systems. All rights reserved. Published in the USA.