

THIS COPY IS PROVIDED ON A RESTRICTED BASIS AND IS NOT TO BE USED IN ANY WAY DETRIMENTAL TO THE INTERESTS OF PANDUIT CORP.

| PANDUIT PART NUMBER | STUD SIZE | DIMENSIONS in. | | | | |
|---------------------|-----------|-----------------|----------------|---------------|----------------|---------------|
| | | A ±.03 | W ±.01 | C ±.02 | M ±.03 | H ±.01 |
| PV10-6F | #6 | 1.01 (25.65) | .31 (7.87) | .25 (6.35) | .81 (20.57) | .14 (3.56) |
| PV10-8F | #8 | 1.04 (26.42) | .37 (9.40) | .25 (6.35) | .81 (20.57) | .17 (4.32) |
| PV10-10F | #10 | 1.04 (26.42) | .37 (9.40) | .25 (6.35) | .81 (20.57) | .20 (5.08) |
| PV10-14F | 1/4" | 1.14 (28.96) | .49 (12.45) | .32 (8.13) | .88 (22.35) | .26 (6.60) |

NOTES:

1. Used for:

A. #14-10 AWG Solid or stranded copper wire range, 600V max voltage rating, and 221°(105°C) max temp rating with CT-550 installation tool #12 str or sol & #10 str w/ CT-1551, CT-1550 installation tool

B. #12-10 AWG Solid or stranded copper wire range, 300V max voltage rating, and 167°F (75°C) max temp rating with CT-100 installation tool

2. Wire strip length: 5/16 ^{+1/32} ₀ (7.9 ^{+0.8} ₀)

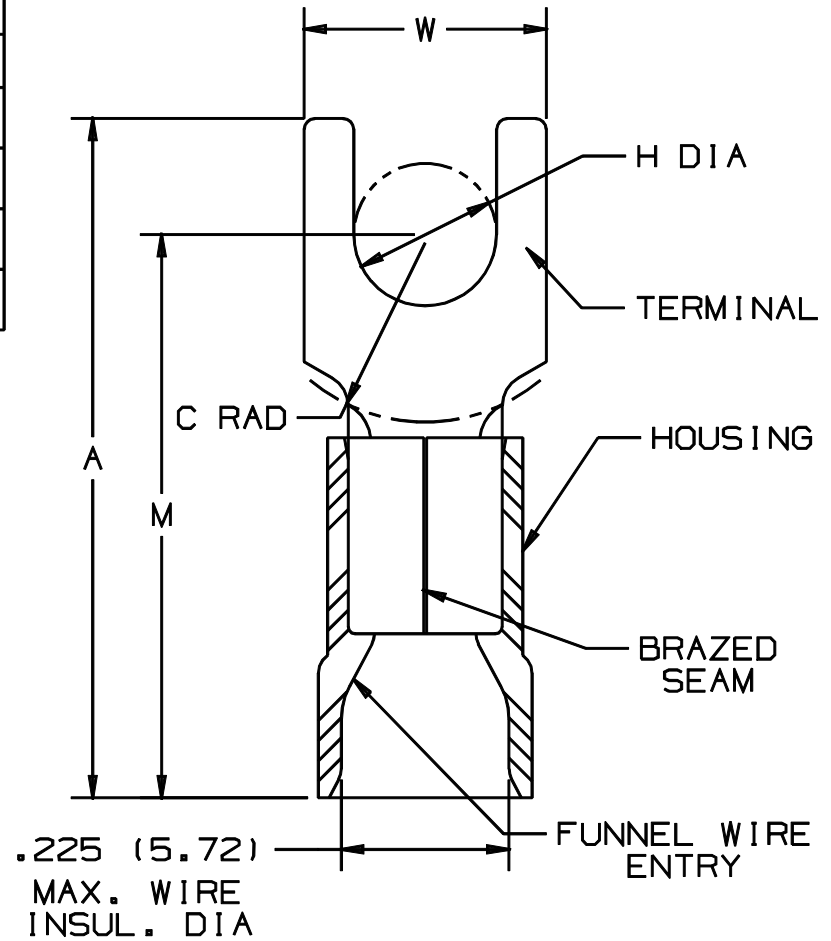
3. Package Quantity (Suffix to basic part no.)
 A. Standard -L=50
 B. Bulk -D=500

4. Material:

A. Stamping: .040 (1.02) thick tin plated copper

B. Housing: Yellow vinyl

5. Dimensions in brackets are in millimeters



LISTED
587H
E52164



CERTIFIED
LR31212

A41189_03

| | | | | | | | | | | | |
|-----|------|-----|-----|------------------------------------|-------|------|----|---|-----------------------|---------------|-----------------------|
| 03 | 1/01 | KMD | | CAD FILE SPEC. WAS N41189AA_PCD_02 | | | | | TINLEY PARK, ILLINOIS | | |
| 02 | 5/99 | JKD | | ADDED CT-1551 & CT-1550 TOOLS | 07634 | | | | | | |
| 01 | 6-95 | MS | RLS | UPDATED NOTES AND DIMENSIONS | 03403 | LA | KS | 2PC. VINYL INSULATED, #12-10 BARREL, FORKS | | | |
| 00 | 3-88 | FS | LM | RELEASED | | LA | JB | | | | |
| REV | DATE | BY | CHK | DESCRIPTION | ECN# | CUST | PM | DRAWN BY FES | CHK'D FS | SCALE NONE | DRAWING NO. A41189 |