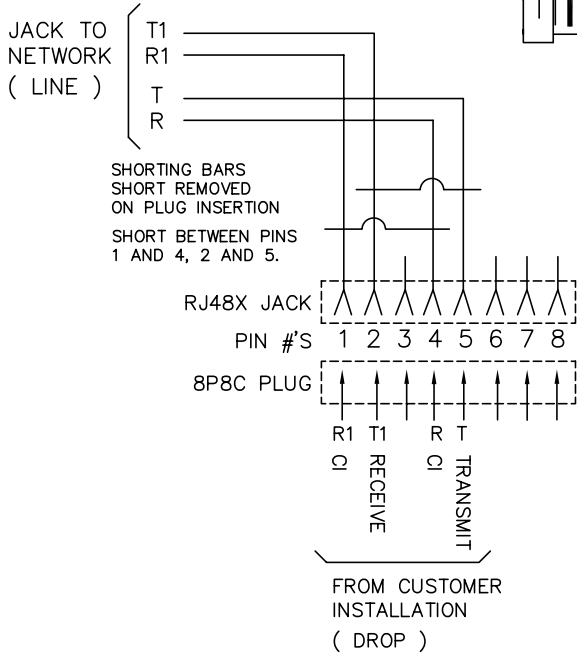
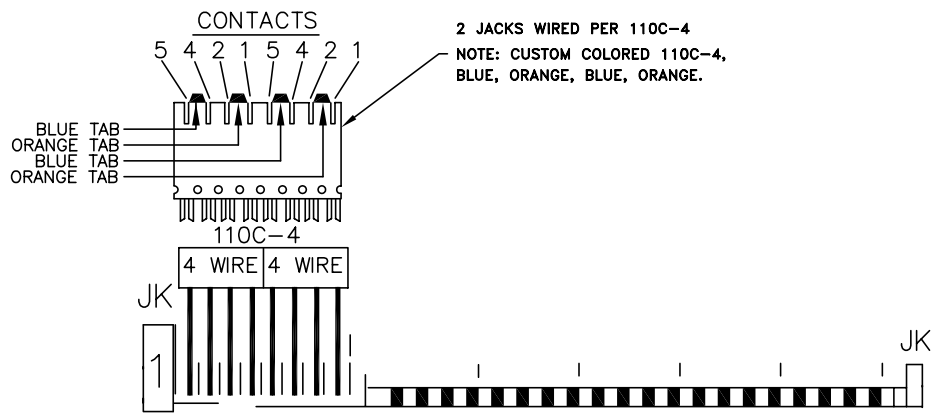


**RJ48X KEYED**  
8 POSITION 8 CONTACT  
KEYED JACK  
# 20300007



RJ48X PIN #'S	WIRE COLOR	110 COLOR CODE
T 5	GREEN	WHITE/BLUE
R 4	RED	BLUE/WHITE
T1 2	ORANGE	WHITE/ORANGE
R1 1	BLUE	ORANGE/WHITE

TWISTED PAIRS: GREEN/RED, ORANGE/BLUE

\*\*\* NOTICE \*\*\*

THIS DOCUMENT CONTAINS CONFIDENTIAL AND/OR PROPRIETARY INFORMATION INTENDED FOR USE ONLY BY THE INDIVIDUAL(S) SPECIFIED HEREIN AND ONLY FOR THE PURPOSE(S) PROVIDED. NEITHER THIS DOCUMENT, NOR ANY INFORMATION CONTAINED HEREIN, MAY BE COPIED, DISTRIBUTED, DISCLOSED TO ANY THIRD PARTY OR USED IN ANY MANNER OTHER THAN FOR WHICH IT HAS BEEN PROVIDED, WITHOUT THE PRIOR WRITTEN CONSENT OF ORTRONICS, INC.



DWN.BY: F. DIENER	DATE: 12/31/96
CHK.BY:	
APP.BY:	

TITLE: 12 PORT, 4/8, RJ48X, 110, P/P 1.75 x 19 x 2.71, PN 5 4 2 1			
SIZE: A	CAD FILE: 809045125C	PART NUMBER: OR-809045125	REV: 04
SCALE: NONE	DATE: 10/24/02	SHEET: 1 OF 1	