

Product Information Sheet

OFFSET RACK-MOUNT BRACKETS

Use Versa-Clamp brackets where additional depth is required over the standard 6.5" deep clamp included with vertical power strips for racks or cabinets.

- Versa-Clamp allows rotation of power strip into preferred orientation prior to securing in place
- Versa-Clamp allows vertical positioning
- Designed to be used in conjunction with 12851, 12852 & 12853 series power strips purchased separately

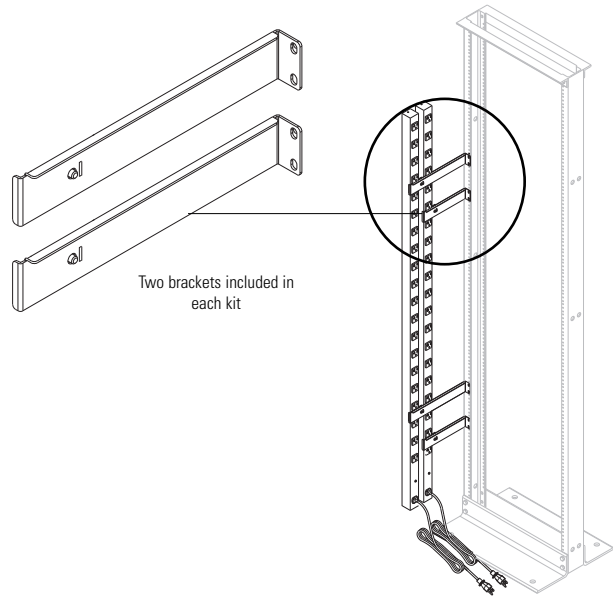


Illustration shows 9.1" and standard 6.5" brackets

| Part Number | Description | Shipping Weight |
|-------------|--|-----------------|
| 12847-701 | 6.5" Offset Rack Mounting Bracket Kit* | 2 lb (0.9 kg) |
| 12847-702 | 9.1" Offset Rack Mounting Bracket Kit | 2 lb (0.9 kg) |
| 12847-703 | 11.7" Offset Rack Mounting Bracket Kit | 2 lb (0.9 kg) |

*Note: Vertical Power Strips for racks include 6.5"D mounting brackets

800-834-4969 in U.S. & Canada • www.chatsworth.com



CHATSWORTH PRODUCTS, INC.

©2009 Chatsworth Products, Inc. All rights reserved. CPI, CPI Passive Cooling, Saf-T-Grip, Seismic Frame, SlimFrame and MegaFrame are federally registered trademarks of Chatsworth Products, Inc. Cube-iT Plus, Evolution, OnTrac, QuadraRack, Simply Efficient and TeraFrame are trademarks of Chatsworth Products, Inc. All other trademarks belong to their respective companies. 12/09