


Middle Atlantic Products

EXCEPTIONAL SUPPORT & PROTECTION™

Rackmount Light with Power Distribution


EIA/TIA Compliant


Rackmount light with power distribution

Features

- Retractable LED light
- Dimmable LED bar provides evenly distributed illumination for component viewing
- 2 rear USB style output ports for connection of LED gooseneck work lights
- 8 vertically oriented and circuit-breaker protected NEMA 5-15R rear outlets spaced for plug-in power supplies
- 2 stage surge suppression protects against damage from power surges and spikes (status notification via local LED and dry contact warns when surge protection is compromised, PDLT-815RV-RN only)
- Constructed of 18-gauge steel
- "Clean ground" surge suppressor design will not pass noise contamination to the ground
- Face available with flat black powder coat finish (PDLT-815RV-RN), black brushed anodized finish (PDLT-815RVA)
- ETL Listed in the US and Canada

PDLT-815RV-RN


front view



rear view

PDLT-815RVA


front view



rear view

Architects' and Engineers' Specifications

PDLT-815RV-RN

Rackmount light with power distribution, normally open dry contact closure for remote surge suppression status notification to customer supplied monitoring device and LED status indicators shall be Middle Atlantic Products model # PDLT-815RV-RN. Rackmount power shall have a 15 amp capacity, 2 stage, normal mode, surge and spike protection and EMI filtering. Rackmount power / light unit shall operate on 120 volt nominal AC/60Hz power. Rackmount power / light unit shall include 9' (14-3) SignalSafe™ power cord with NEMA 5-15P plug with 8 rear vertically oriented NEMA 5-15R outlets spaced for plug-in power supplies and 15 amp circuit breaker located on the front. Rackmount power shall feature retractable light shelf with 20 lb. weight capacity and LED light bar. Unit shall include dimmer (front mounted knob.) "Clean ground" surge suppressor design shall not pass noise contamination to the ground. Unit shall occupy one rackspace and be constructed of 18-gauge steel with a flat black powder coat finish. Rackmount power / light unit shall feature 2 rear USB style output ports for use with optional LED gooseneck work lights. Rackmount power / light unit shall be warranted to be free from defects in material or workmanship under normal use and conditions for a period of three years. Rackmount power / light shall be GREENGUARD Indoor Air Quality Certified for Children and Schools. Rackmount power / light shall be manufactured by an ISO 9001 Registered Company. Rackmount power / light shall comply with the requirements of RoHS EU Directive 2002/95/EC. Rackmount power/light unit shall be ETL listed to UL standard 1419, UL 60950-1 and UL 60065 in the US; CSA standard 60950-1, and CSA C22.2 No. 60065 in Canada. Rackmount power / light shall be warranted to be free from defects in materials and workmanship under normal use and conditions for a period of 3 years.

PDLT-815RVA

Rackmount light with power distribution shall be Middle Atlantic Products model # PDLT-815RVA. Rackmount power shall have a 15 amp capacity, 2 stage, normal mode, surge and spike protection and EMI filtering. Rackmount power / light unit shall operate on 120 volt nominal AC/60Hz power. Rackmount power / light unit shall include 9' (14-3) SignalSafe™ power cord with NEMA 5-15P plug with 8 rear vertically oriented NEMA 5-15R outlets spaced for plug-in power supplies and 15 amp circuit breaker located on the front. Rackmount power shall feature retractable light shelf with 20 lb. weight capacity and LED light bar. Unit shall include dimmer button under light shelf. Second dimmer button shall control brightness of the lighted logo. "Clean ground" surge suppressor design shall not pass noise contamination to the ground. Unit shall occupy one rackspace and be constructed of 18-gauge steel. Rackmount power / light unit shall feature 2 rear USB style output ports for use with optional LED gooseneck work lights. Rackmount power / light unit shall be warranted to be free from defects in material or workmanship under normal use and conditions for a period of three years. Rackmount power / light shall be GREENGUARD Indoor Air Quality Certified for Children and Schools. Rackmount power / light shall be manufactured by an ISO 9001 Registered Company. Rackmount power / light shall comply with the requirements of RoHS EU Directive 2002/95/EC. Rackmount power/light unit shall be ETL listed to UL standard 1419, UL 60950-1 and UL 60065 in the US; CSA standard 60950-1, and CSA C22.2 No. 60065 in Canada. Rackmount power / light shall be warranted to be free from defects in materials and workmanship under normal use and conditions for a period of 3 years.

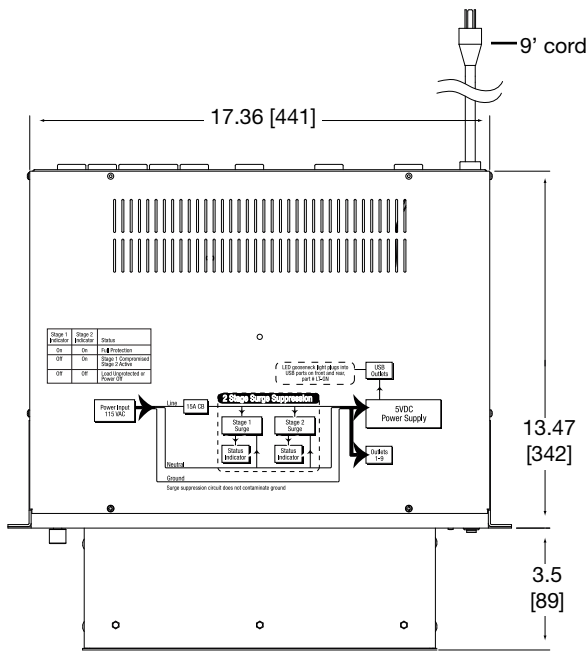
OPTIONS

- LED work light with 11" flexible gooseneck and on / off switch shall be Middle Atlantic Products model # LT-GN

CUSTOMIZABLE SPECIFICATION CLIPS AVAILABLE AT MIDDLEATLANTIC.COM

PDLT basic dimensions

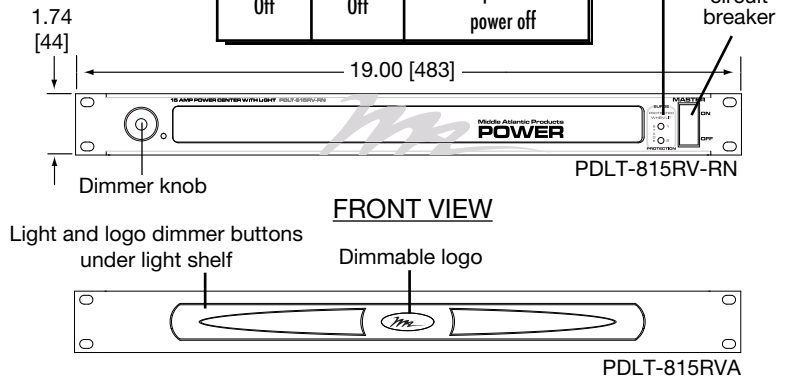
All dimensions in inches unless otherwise noted [All dimensions in brackets are in millimeters]



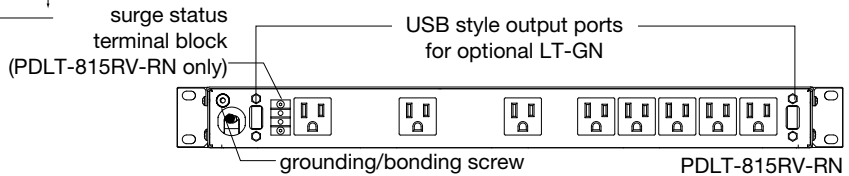
TOP VIEW
(PDLT-815RV-RN shown)

SURGE SUPPRESSION STATUS

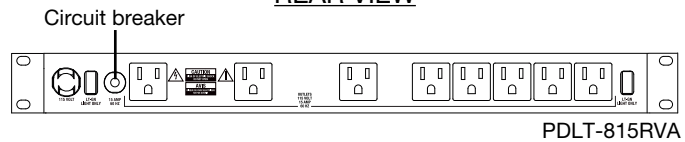
Stage 1 indicator	Stage 2 indicator	Status
On	On	Full protection
Off	On	Stage 1 compromised Stage 2 active
Off	Off	Load unprotected or power off



FRONT VIEW



REAR VIEW



Part #	Front Power Switch	Remote Notifier	Dimmable Logo	Finish
PDLT-815RV-RN	Yes	Yes	No	Flat black powder coat
PDLT-815RVA	No	No	Yes	Black brushed anodized aluminum face

Maximum Derated Load (North America) for 15 Amp Models: 12 Amps
for 20 Amp Models: 16 Amps

UL File # E204950

Surge Suppression & EMI Filter Specifications (PDLT-815RV / PDLT-815RVA)

- Maximum allowable voltage: 125 VAC (RMS)
 - Maximum continuous voltage differential applied between line and neutral
- Peak impulse current (8/20 micro seconds):
 - 30,000 Amps, one time
 - 19,500 Amps, two times within 5 minutes
 - 7,000 Amps, ten times within 2 minutes
 - Maximum peak impulse current pulse as defined between line and neutral
 - Maximum multiple impulse current derated per spec

- Protection mode: Line to Neutral
- Maximum clamping voltage: 545 Volts @ 100 Amps
- Response time: Instantaneous (Less than 1 nanosecond)
- EMI/RF Suppression: More than 20 db
 - Calculated line to neutral, 100 KHz to 1 MHz suppression based upon nominal impedance
- Surge energy dissipation: 711 Joules (10 / 100 micro seconds)
- 2 Stage surge suppression with health indicators
- Surge suppression circuit does not contaminate ground

