

40837-BWR

A/V Solutions

Brand Features

The Banana Jack QuickPort Connector provides audio connectivity for speaker wire. The connector snaps into any QuickPort housing: flush- and surface-mount outlets, Multimedia Outlet System (with adapter), Decora® Inserts, patch panels, and patch blocks.

Item Description

Banana Jack QuickPort Connector, Gold-Plated, Red Stripe, White Housing

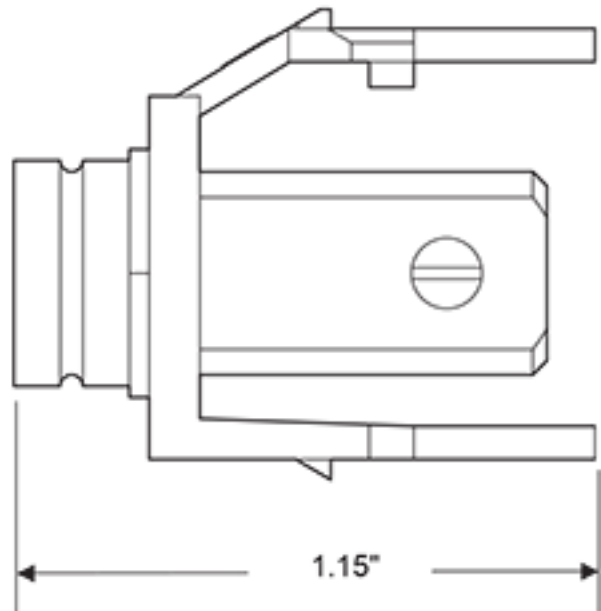
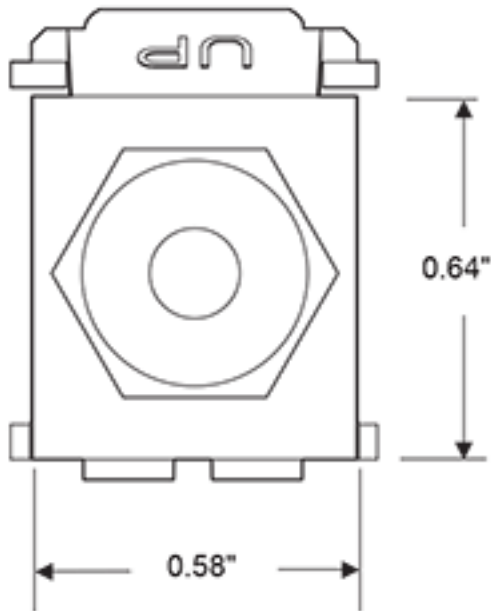


Features and Benefits

- Screw Terminal
- Compatible with all QuickPort wallplates, housings, and panels
- Available in a variety of colors to match housings or wallplates
- Compatible with other banana jacks

UPC Code: 07847796243

Country of Origin: China



SPECIFICATION SUBMITTAL

JOB NAME: <input style="width: 95%;" type="text"/>	CATALOG NUMBERS: <input style="width: 95%;" type="text"/>	
JOB NUMBER: <input style="width: 95%;" type="text"/>	<input style="width: 95%;" type="text"/>	<input style="width: 95%;" type="text"/>

Leviton Manufacturing Co., Inc.

201 North Service Road, Melville, NY 11747

Telephone: 1-800-323-8920 · FAX: 1-800-832-9538 · Tech Line (8:30AM-7:30PM E.S.T. Monday-Friday): 1-800-824-3005

Leviton Manufacturing of Canada, Ltd.

165 Hymus Boulevard, Pointe Claire, Quebec H9R 1E9 · Telephone: 1-800-469-7890 ·

FAX: 1-800-824-3005 · www.leviton.com/canada

Leviton S. de R.L. de C.V.

Lago Tana 43, Mexico DF, Mexico CP 11290 · Tel.: (+52)55-5082-1040 · FAX: (+52)5386-1797 · www.leviton.com.mx

Visit our Website at: www.leviton.com

© 2012-2015 Leviton Manufacturing Co., Inc. All rights reserved. Subject to change without notice.

Leviton has a global presence.

If you would like to know where your local Leviton office is located please go to: www.leviton.com/international/contacts/

