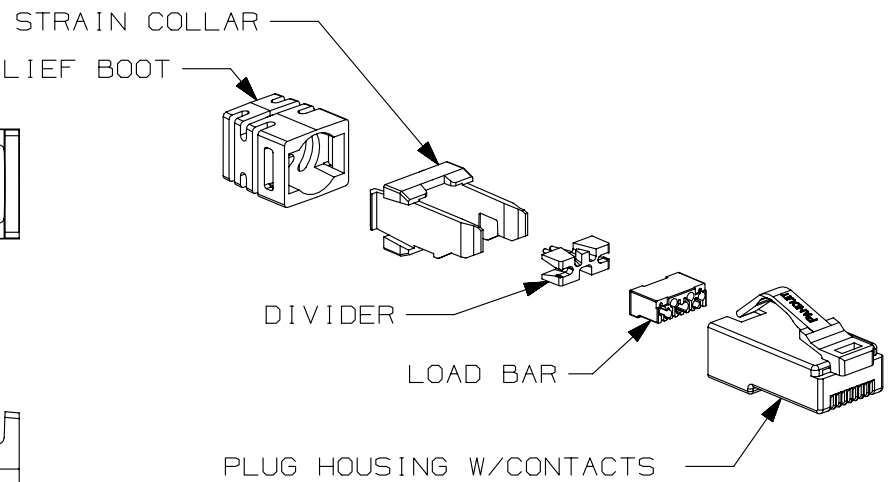
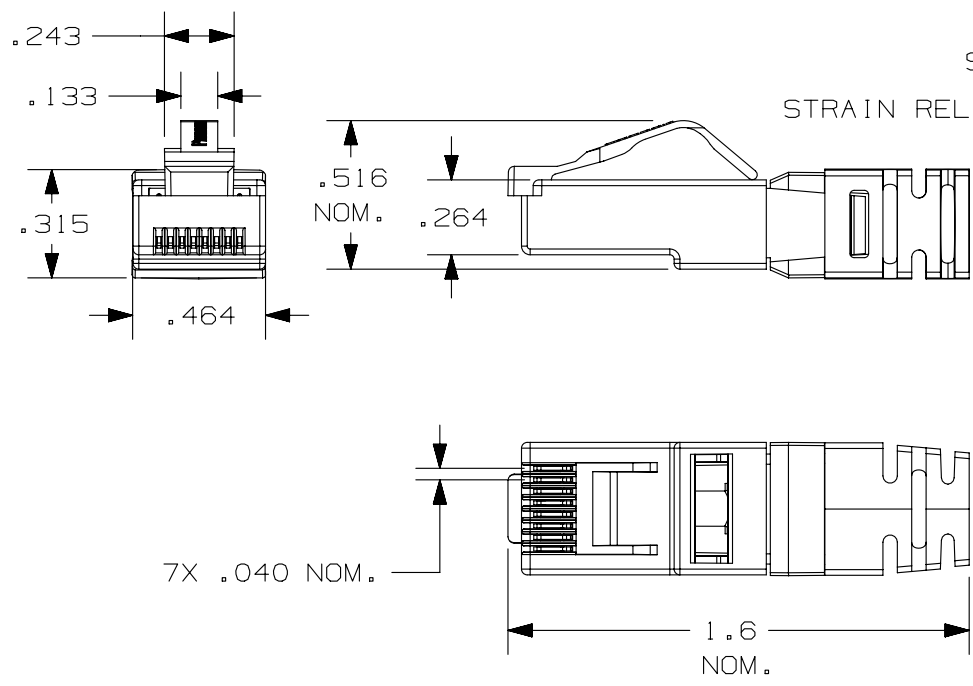


THIS COPY IS PROVIDED ON A RESTRICTED BASIS AND IS NOT TO BE USED IN ANY WAY DETRIMENTAL TO THE INTERESTS OF PANDUIT CORP.

PANDUIT P/N	WEIGHT
SP6X88-C	.047 LB/10 PCS (21.4 g/10 PCS)

- NOTES:
- CAT 6A UTP MODULAR PLUG FOR USE WITH PANDUIT TX6A 10GIG UTP COPPER CABLE.
  - MATERIALS: PLUG COMPONENTS - UL94V-0 RATED POLYCARBONATE, BOOT - PVC, CONTACTS - GOLD PLATED PHOSPHOR BRONZE.
  - PLUG DESIGNED AND TUNED EXCLUSIVELY FOR PANDUIT CAT6A UTP HORIZONTAL CABLE (PU\*6A04) WITH MATRIX TECHNOLOGY.
    - .310" MAX. OUTER JACKET DIAMETER.
    - .048" MAX. CONDUCTOR INSULATION DIAMETER.
  - MEETS DIMENSIONAL REQUIREMENTS OF FCC PART 68 AND IEC 60603-7. ALL DIMENSIONS MAXIMUM UNLESS OTHERWISE SPECIFIED.
  - TERMINATED CONTACT HEIGHT DIMENSION: .237±.005"
  - OPERATING TEMPERATURE: -14°F TO 140°F (-10°C TO 60°C)
  - STORAGE TEMPERATURE: -40°F TO 158°F (-40°C TO 70°C).
  - RATED TO 2500 MATING CYCLES.
  - PLUG ASSEMBLY TOOL - CSPT.  
CRIMP TOOL - MPT5-8AS.



PART NUMBER		SP6X88-C		
TITLE				
CATEGORY 6A UTP MODULAR PLUG FOR USE WITH PANDUIT TX6A 10GIG UTP COPPER CABLE				
CUSTOMER DRAWING				
ITEM REVISION NAME		M01185CG/02		
DATASET FILE NAME		M01185CG_DC01/02A		
UNLESS OTHERWISE SPECIFIED, DIMENSIONAL TOLERANCES ARE: IN [ mm ]		MATERIAL:		
.x ± .xx ± .03 [ .8 ]		SEE NOTES		
.xxx ± .010 [ .3 ]		DRAWING NUMBER:		
ANGLES ±		M01185CG-01		
THIRD ANGLE PROJECTION		SHT 1 OF 1		
DRAWN BY	DATE	CHK	SCALE	SIZE
MDJR	12-21-12	EJH	NONE	A

REV	DATE	BY	CHK	APR	DESCRIPTION	ECN
2	4-7-14	BJN	JAV	EJH	UPDATED	M01185CG-01
1	7-26-13	MDJR	EJH	EJH	UPDATED	M01185CG-01
R	12-21-12	MDJR	EJH	EJH	RELEASED TO PRODUCTION	M01185CG-01

D10100DA/14