

PANDUIT P/N	WEIGHT
P12B30M	1.1kg

NOTES:

1. IDENTIFICATION:

UNIT TYPE:	BASIC
ORIENTATION:	HORIZONTAL, 1U
OUTLET QTY&TYPE:	(12) NEMA 5-20R
BREAKER QTY&TYPE:	N/A
INPUT VOLTAGE:	100-120V
INPUT CURRENT:	20A (16A DERATED)
INPUT PHASE:	SINGLE-PHASE
RATED POWER:	1.9kVA
INPUT PLUG:	NEMA L5-20P
INPUT CORD LENGTH:	3m [10']

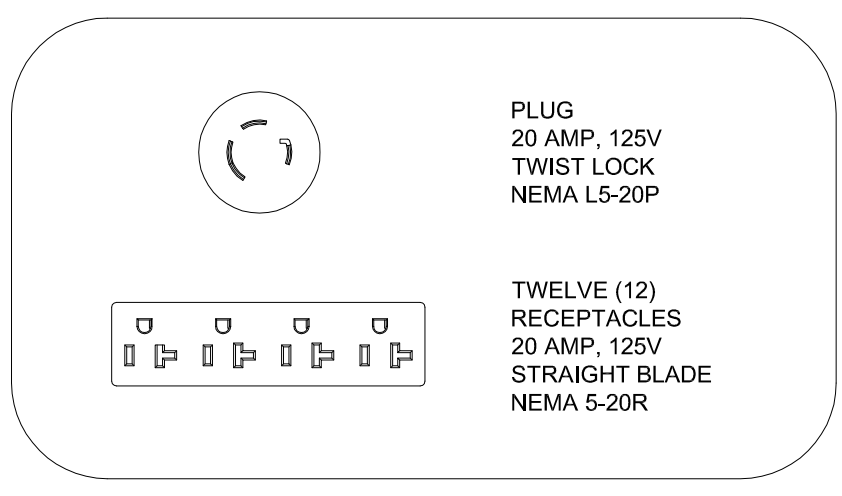
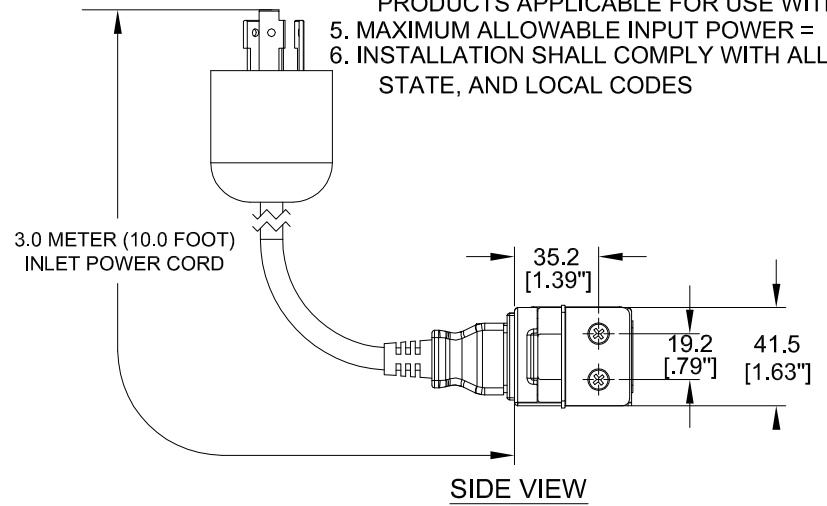
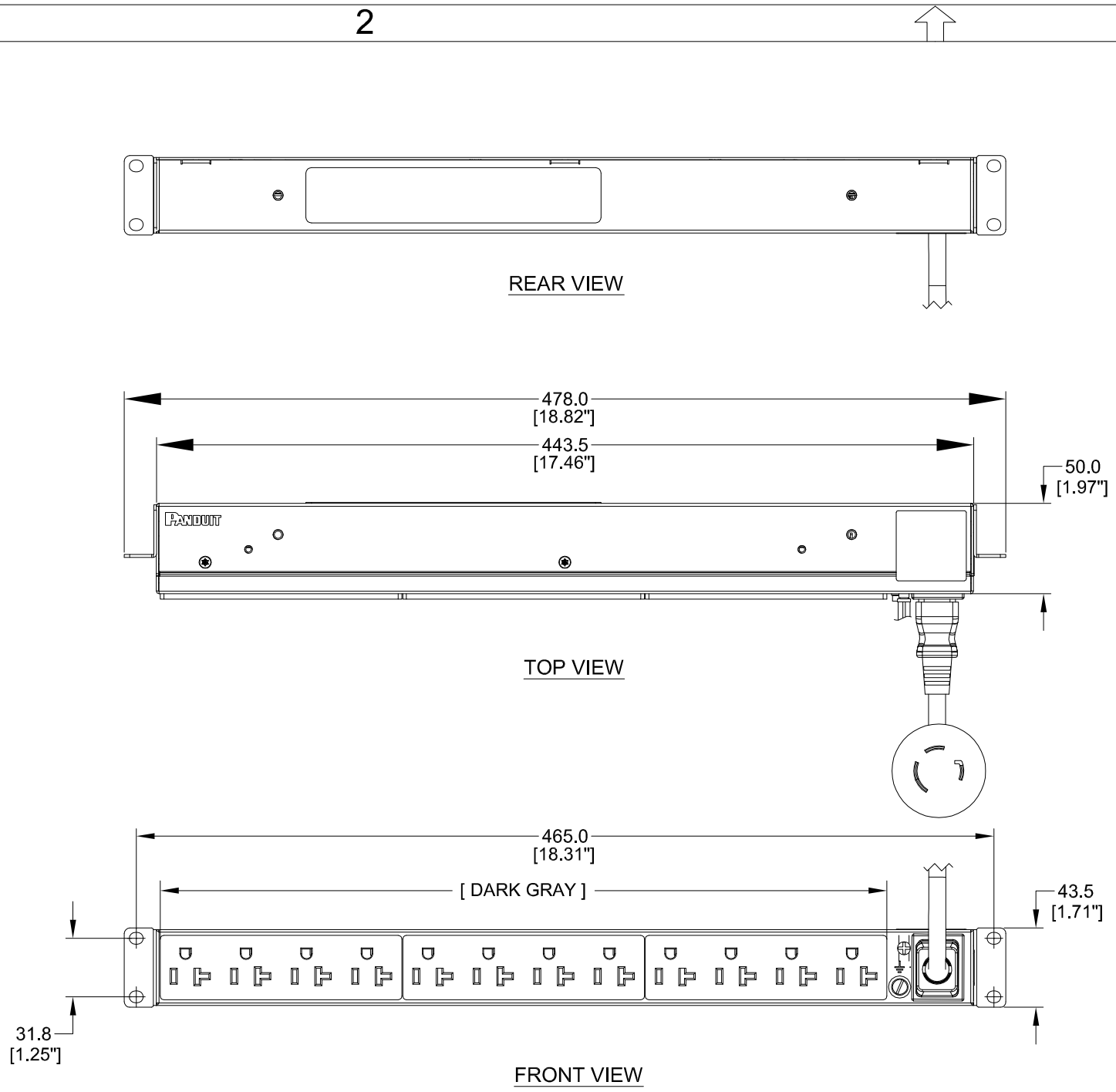
2. ACCESSORIES:

- POCKET GUIDE
- QTY: (4) M6 X 12 PAN HEAD MACHINE SCREWS
- QTY: (4) M6 CAGED NUT

3. RoHS COMPLIANT

4. VISIT PANDUIT'S ON-LINE CATALOG AT WWW.PANDUIT.COM FOR ADDITIONAL PRODUCT INFORMATION CONTAINED IN THE SPECIFICATION SHEET AS WELL AS A CURRENT LIST OF PRODUCTS APPLICABLE FOR USE WITH THIS PART

5. MAXIMUM ALLOWABLE INPUT POWER = 1.9 kW
6. INSTALLATION SHALL COMPLY WITH ALL APPLICABLE NATIONAL, STATE, AND LOCAL CODES



REV	DATE	BY	CHK	APR	DESCRIPTION	ECN

WE ASK THAT YOU CHECK FULLY THE DIMENSIONS, NOTES, AND SIGN THE CLIENT SIGNATURE BOX. THE JOB WILL NOT PROGRESS WITHOUT SIGNED APPROVAL, PLEASE DO NOT DELAY IN RETURNING PROOF AS IT WILL AFFECT DELIVERY.		SIGN
		DATE
		PRINT
TITLE		
BASIC SERIES PDU P12B30M CUSTOMER DRAWING		
ITEM REVISION NAME		
DATASHEET FILE NAME		
UNLESS OTHERWISE SPECIFIED DIMENSIONAL TOLERANCE ARE: mm [IN]		MATERIAL/COLOR:
Tolerance(mm)		N/A
THIRD ANGLE PROJECTION		DRAWING NUMBER: P12B30M_DC
DRAWN BY	DATE	SCALE
JIANG	05/24/2017	NONE
CHK	SEAN	SHT 1 OF 1
SCALE	NONE	SCALE B