

SurroundVideo® Omni G2 IP Megapixel Cameras

12 or 20 Megapixel (MP) H.264 All-in-One Remote Focus Omni-Directional User-Configurable Multi-Sensor True Day/Night Indoor/Outdoor Dome IP Cameras with WDR (Wide Dynamic Range) Models



The SurroundVideo Omni G2, next generation multi-sensor, multi-megapixel camera was built to withstand evolving customer change-requirements. The unique, future-proof platform of the SurroundVideo Omni G2 provides organizations of all sizes the flexibility to deploy a security system that truly matches their video surveillance needs now; and again if requirements change in the future. With its ground-breaking flexibility such as the ability to easily move each of the four sensors around the magnetic 70+ placement-point Omni track, the 3-axis gimbals for an increased range of motion when positioning the sensors, and the ability to interchange the remote focus modular lenses for a customized field of view, the SurroundVideo Omni G2 provides customers with the confidence in a future-proof investment. The SurroundVideo Omni G2 changes when you do.

The SurroundVideo Omni G2 multi-megapixel camera series features a choice of 12- or 20-megapixel resolution options. These cameras provide an all-in-one solution for capturing wide area video surveillance while maximizing the field-of-view and reducing the total number of cameras required saving installers time and end users money.

Regardless of time-of-day, this camera is ideal for applications with challenging lighting conditions. The series combines a day/night mechanical IR cut filter for the highest image quality at any time of day. For applications with bright or over

saturated lighting conditions, optional wide dynamic range delivers up to 100dB at full resolution and is available on select 12MP models. For applications with poor low lighting conditions, Binning Mode increases the camera's low light performance by combining pixels so that more light can be collected.

Once mounted, the operator can quickly focus and position the camera remotely, eliminating the need to adjust the camera on-site. No more hassle individually installing multiple cameras to cover a wide area, manually focusing lenses, or risk missing critical information.

SurroundVideo Omni G2 is designed for demanding environments. Subjected and certified to rigorous dust and water tests, the IP66 rating, and its extended operating temperature range make it ideal for outdoor applications. The IK-10 rated, rugged dome housing is perfect for deterring vandals since it can withstand the equivalent of 55 kg (120 lbs) of force.

The camera offers advanced streaming capabilities and is designed on an efficient H.264 encoding platform capable of delivering high quality video without straining the network. Power can be supplied via a single Power-over-Ethernet compliant network cable or with power from a 18-48V DC/24V AC power supply.

The camera's interface allows for an intuitive, fast, and easy configuration; while the Free AV IP Utility tool allows users to quickly configure multiple cameras at one time.



Interchangeable Lenses with Remote Focus Module



Omni-Directional Track with 4 Customizable Sensors



270° FOV Capable



Wide Dynamic Range on Select 12MP Models



True Day/Night with IR Cut Filter



Pixel Binning Mode



Ultra Low Profile Design



3-Axis Gimbal



Impact / Weather Resistant IK-10 and IP66 Rated

Series Features

- 12MP WDR and 20MP Models
- Remote Focus
- 3-Axis Gimbal – Up to 4 Individual Camera Gimbals can be Independently Placed in Any Orientation Around a 360° Track with Extra Positions for Looking Straight Down
- Multiple Lens Options in a Single Camera Housing from 2.1mm up to 16mm
- True Day/Night Functionality with Mechanical IR Cut Filter
- Forensic Zooming – Zoom Live or After the Event While Recording Full Field-of-View in HD – Replace PTZ Devices
- Privacy Mask, Motion Detection, Flexible Cropping, Bit Rate Control and Multi-Streaming
- Dual Encoder H.264/MJPEG
- PoE and Auxiliary Power: 18–48V DC/24V AC
- Ultra Discrete, Low-Profile Housing
- Outdoor Rated IP66 and IK-10 Impact-Resistant Housing
- Complete Mounting Options
- True WDR up to 100dB at Full Resolution: See Clearly in Shaded and Bright Light Conditions Simultaneously
- Binning Mode for Strong Low Light Performance

Camera Specifications

Model		AV12275DN	AV12276DN	AV20275DN
Image Sensor		4 x 3MP CMOS		4 x 5MP CMOS
Optical Format		1/3"		1/2.5"
Pixel Pitch		2.2µm		2.2µm
Minimum Illumination	Color (Day Mode)	0.2 Lux		0.3 Lux
	Color Binning (Day Mode)	0.1 Lux		0.15 Lux
	B/W (Night Mode)	0.02 Lux, IR sensitive		0.03 Lux, IR sensitive
Full FOV Resolution	Total	8192 H x 1536 V	8192 H x 1536 V	10240 H x 1920 V
	Per Sensor	2048 H x 1536 V	2048 H x 1536 V	2560 H x 1920 V
1/4 Resolution	Total	4096 H x 768 V	4096 H x 768 V	5120 H x 960 V
	Per Sensor	1024 H x 768 V	1024 H x 768 V	1280 H x 960 V
Dynamic Range		69.5dB		100dB
Frame Rates	At Max Resolution	10fps (8192x1536)	10fps (8192x1536)	7fps (10240x1920)
	1/4 Resolution	14fps (4096x768)	14fps (4096x768)	10fps (5120x960)
	Binning Mode	29fps (4096x768)	14fps (4096x768)	24fps (5120x960)
Lens	2.8mm Lens Option (-28 Models)	2.8mm, F1.8, H-FOV = 88°		2.8mm, F1.6, H-FOV = 114°
	8mm Lens Option (-08 Models)	8mm, F1.6, H-FOV = 33°		8mm, F1.6, H-FOV = 43°

Programmability

Optics	Remote focus
	Pixel Binning Mode
Picture-in-Picture	Simultaneous delivery of full field-of-view and zoomed images
Programmable Shutter Speed	Controls motion blur, 1ms–500ms
Motion Detection	Real-time, 1024 detection zones
Privacy Masking	Unlimited
MoonLight™ Mode	Extended exposure and noise cancellation
Flexible Cropping	Resolution windowing down to 1x1 pixel for JPEG and 2x2 pixels for H.264
Backlight Compensation	Auto multi-matrix white balance
Flicker Control	50/60Hz selectable
Wide Dynamic Range	Auto switch control adjustment between WDR and LDR modes (WDR models)
Efficiency	Bit rate and bandwidth limitation control
	Bandwidth and storage savings by running at 1/4 resolution
Sharpness	Selectable enhancement level
Miscellaneous	Programmable resolution, brightness, saturation, gamma, tint
	Simultaneous delivery of full field-of-view and zoomed images
	Electronic pan, tilt, zoom (PTZ)
	Auto Exposure (AE) and Gain Control (AGC) > 120dB
	Programmable shutter speed to help control motion blur

SituationalPlus™

Model	Lens	View Angle	Distance to pixel density (ft.)(m)		
			30ppf (98ppm)	60ppf (197ppm)	90ppf (295ppm)
AV12275DN-28	MPM2.8A	89°	34' (10.4m)	15.5' (4.7m)	8' (2.4m)
AV12275DN-08	MPM8.0	33°	114.5' (34.9m)	56' (17.1m)	37.5' (11.4m)
AV12276DN-28	MPM2.8A	89°	34' (10.4m)	15.5' (4.7m)	8' (2.4m)
AV12276DN-08	MPM8.0	33°	114.5' (34.9m)	56' (17.1m)	37.5' (11.4m)
AV20275DN-28	MPM2.8A	113°	27' (8.2m)	12' (3.7m)	5' (1.5m)
AV20275DN-08	MPM8.0	42°	114' (34.7m)	56' (17.1m)	36' (11.0m)

Data Transmission

Compression Type	H.264 (MPEG-4, Part 10)/Motion JPEG
	21 levels of quality
Network Protocols	RTSP, RTP/TCP, RTP/UDP, HTTP, DHCP, TFTP, IPv4, IPv6, QoS
Network Interface	100Base-T Ethernet
Multi-Streaming	8 non-identical streams

Compliance

Listings	UL (CB)
FCC Compliance	47 CFR 15 Class A
Environmental	RoHS, REACH, WEEE
Markings	(CE) EN 55022:2010 Class A, EN 55024:2010, EN 61000-3-2:2006+A1:2009+A2:2009, EN61000-3-3: 2008, EN60950-1:2006+A11:2009+A1:2010+A12:2011, (UL) IEC 60950-1 (ed. 2) and IEC 60950-22 (ed. 1)
CoO	Made in the USA

Environmental

Operating temperature	-40°C (-40°F) to +50°C (122°F)
Humidity	0% to 90% (non-condensing)
Storage temperature	-40°C (-40°F) to +60°C (140°F)

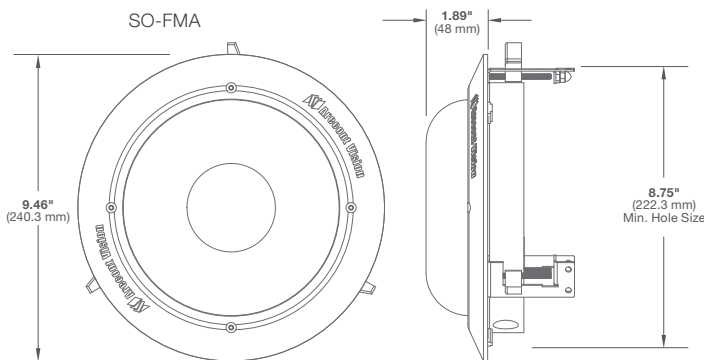
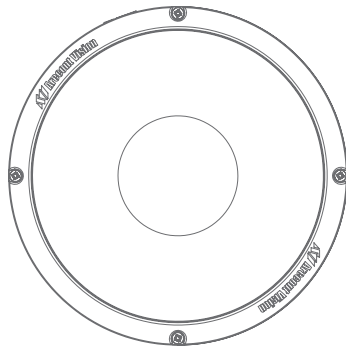
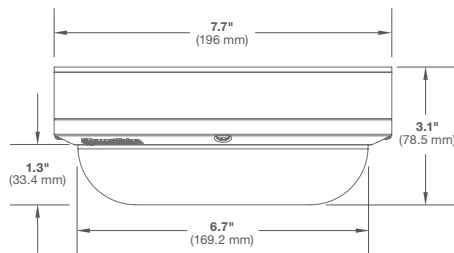
Electrical

Alarm Input/Output	1 input/1 output
Power Over Ethernet	PoE 802.3af, Class 3
Auxiliary Power	18–48V DC, 24V AC
Maximum Power Consumption	14 Watts Max (Aux)

Mechanical

Casing	Die-cast aluminum chassis with polycarbonate dome bubble	
	IP66 weather proof standard	
	Impact resistant, IK-10 rated	
Gimbal	Easily adjustable, 3-axis w/360° pan, 90° tilt, and 360° z-axis	
Dimensions <i>(See Dimensions)</i>	Unit	Ø 7.7" (196mm) x 3.1" H (78.5mm)
	Bubble Only	Ø 6.7" (169.2mm) x 1.3" H (33.4mm)
	Packaged	8" W (203mm) x 8" L (203mm) x 4" H (102mm)
Weight	Unit	2.8lbs (1.27kg)
	Packaged	3.4lbs (1.54kg)

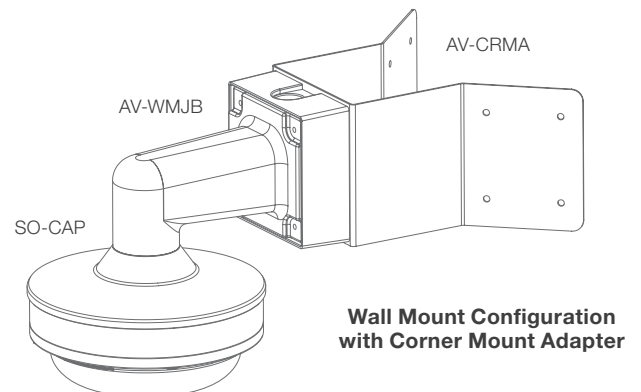
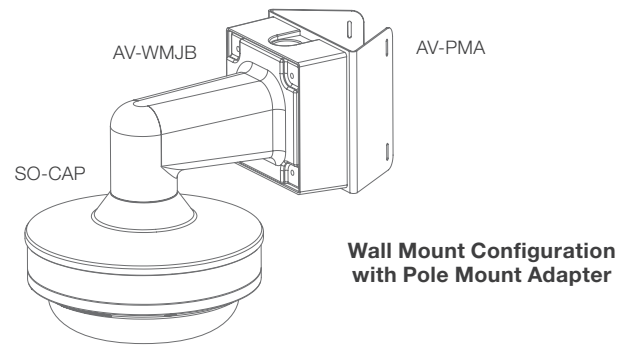
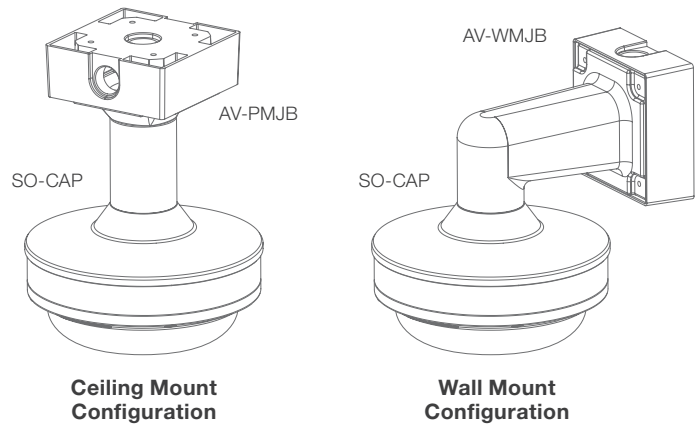
Dimensions



Flush Mount Adapter

Accessories (Sold Separately)

AV-CRMA	Corner Mount Adapter
AV-EBA	Electrical Box Adapter
AV-JBA	Junction Box Adapter
AV-PMA	Pole Mount Adapter
AV-PMJB	Pendant Mount Bracket with Junction Box
AV-WMJB	Wall Mount Bracket with Junction Box
SO-CAP	Cap for SurroundVideo Omni
SO-FMA	Flush Mount Adapter



Ordering Information



Model Specific Features

Model	Resolution	Frame Rate	Features	
AV12275DN	12MP	10fps	-	Binning
AV12276DN	12MP	10fps	WDR	Binning
AV20275DN	20MP	7fps	-	Binning

Model Numbers

12MP	AV12275DN-NL
	AV12275DN-28
	AV12275DN-08
	AV12276DN-NL WDR
	AV12276DN-28 WDR
	AV12276DN-08 WDR
20MP	AV20275DN-NL
	AV20275DN-28
	AV20275DN-08

Options

-NL	No Lenses (User Configurable and Ordered Separately)
-28	Configured with 2.8mm Lenses ¹
-08	Configured with 8mm Lenses ²

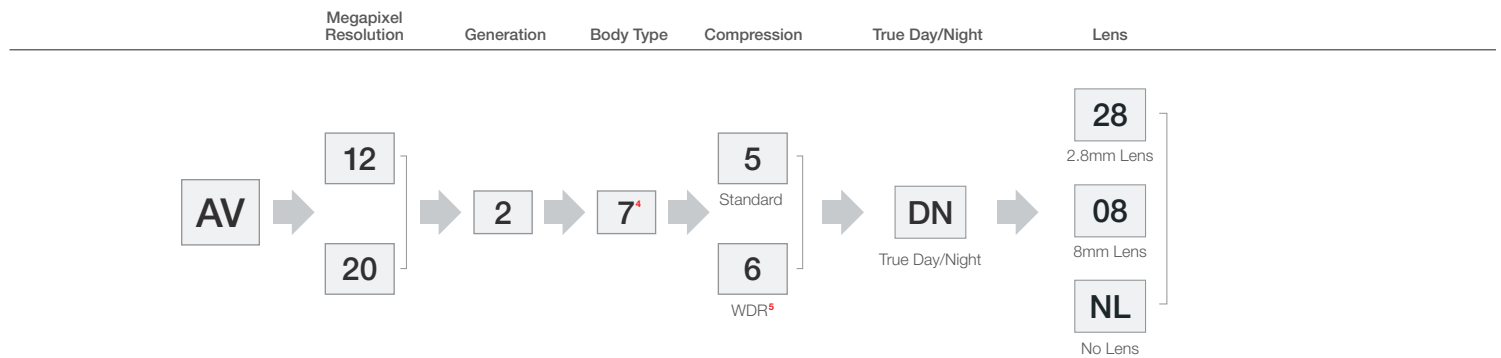
- ¹ Good option for a 270° Corner Mount configuration
- ² Good configuration option for a hallway intersection

Lens Options (Sold Separately)

Model	Focal Length	Horizontal Field of View		
		3MP	3MP WDR	5MP
MPM2.1	2.1mm	121°	121°	-
MPM2.8A ³	2.8mm	89°	89°	113°
MPM4.0A	4mm	63°	63°	80°
MPM6.0	6mm	43°	43°	56°
MPM8.0 ³	8mm	33°	33°	42°
MPM12.0A	12mm	22°	22°	28°
MPM16.0	16mm	16°	16°	20°

- ³ MPM2.8A (2.8mm) is the default lens for "-28" models and MPM8.0 (8mm) is the default lens for "-08" models

Create Your Model (Example: AV12276DN-28)



- ⁴ "7" represents SurroundVideo Omni product line
- ⁵ WDR for AV12276 models only