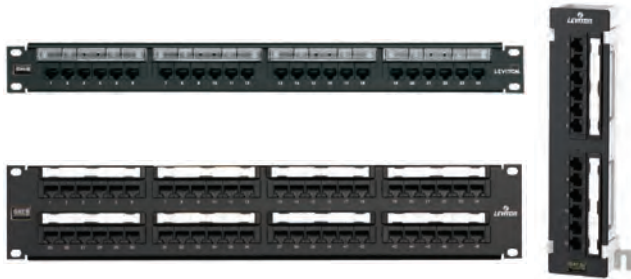


Cat 6 Flat 110-Style Patch Panels

APPLICATION

Leviton Cat 6 Flat 110-Style Patch Panels are designed for use on 19-inch standard racks and cabinets. Patch panels include patented Retention Force Technology which promotes consistent performance over the life of the system. Installer-friendly design allows for quick installation due to standard 110 terminations on the rear of the panels which follows the normal installation color sequence (blue, orange, green, brown) from left to right. The Cat 6 system is designed for use in high-megabit applications such as Gigabit Ethernet.



SPECIFICATION

Patch panels shall meet or exceed the requirements for channel- and component-level performance as described in ANSI/TIA-568-C.2 Category 6 standards, as well as the Class E requirements described in ISO/IEC 11801. Panels shall feature both T568A and T568B wiring configurations, white IDC 110-punchdown modules, mounting standoffs for cable management bars, and color-coded front window labeling. Panels shall have universal T568A and T568B wiring card for terminations. Panels shall be made of 14-gauge steel, and shall have a black painted finish with white silk-screening. The plastic elements shall be fire retardant with a UL flammability rating of 94V-0. Panels shall be offered in 12-, 24, 48-, and 96-port configurations as well as an 89D 12-port configuration. Patch panels shall be configured with six port modules. The 110 termination on the rear of the panels shall follow normal installation color sequence (blue, orange, green, brown) from left to right.

COUNTRY OF ORIGIN

USA

Page 1 of 2

FEATURES

- Patented Retention Force Technology protects tines from damage and increases system longevity
- Craft-friendly installation
- Universal T568A and T568B wiring cards for 110-style IDC terminations
- Color-coded front labeling for easy port identification (ANSI/TIA-606-B compliant)
- Terminates 26-22 gauge solid conductors
- Centralized labeling (available on 48-Port) promotes greater visibility of labels when patch cords are routed into horizontal cable management above and below the patch panel
- Capable of multiple re-terminations
- Panel available with patented magnifying lens label holder for easy reading

DESIGN CONSIDERATIONS

- Mounts on 19-inch equipment racks
- Panel offered in 12-, 24-, 48-, 96-port configurations and 12-port U89 Block for wall-mount applications
- Connector modules are in groups of six
- Includes rear cable management bars
- Use star washers for grounding in rack-mount installations

STANDARDS COMPLIANCE

- ANSI/TIA-568-C.2
- ISO/IEC 11801
- ANSI/TIA-1096-A (formerly FCC Part 68)
- cULus Listed
- IEEE 802.3at (Type 1) Power over Ethernet (PoE) applications up to 15.4 watts
- IEEE 802.3at (Type 2) Power over Ethernet (PoE+) applications up to 30 watts
- IEEE 802.3bt/D1.7 (Type 3) Power over Ethernet (PoE+) applications up to 60 watts
- IEEE 802.3bt/D1.7 (Type 4) Power over Ethernet (PoE+) applications up to 100 watts
- Cisco Universal Power Over Ethernet (UPOE) applications up to 60 watts
- Power over HDBaseT™ (POH) applications up to 100 watts

PHYSICAL SPECIFICATIONS

Dimensions: See page two
 Capacity: 12, 24, 48, 96-port,
 U-89 Universal 12-port block
 Materials: 14-gauge steel, painted black; PCB and plastic components are rated per UL 94V-0

69586-xxx

Leviton Network Solutions
2222 - 222nd St. SE
Bothell, WA 98021-4416

Asia / Pacific
T +1.631.812.6228
E infoasean@leviton.com

Canada
T +1.514.954.1840
E pcservice@leviton.com

Caribbean
T +1.954.593.1896
E infocaribbean@leviton.com

China
T +852.2774.9876
E infochina@leviton.com

Colombia
T +57.1.743.6045
E infocolombia@leviton.com

tel 1-800-824-3005
tel +1-425-486-2222
appeng@leviton.com
www.leviton.com

Europe
T +33.6.8869.1380
E infoeurope@leviton.com

India / SAARC
T + 971.4.886.4722
E infoindia@leviton.com

Mexico
T +52.55.5082.1040
E lsamarketing@leviton.com

Middle East & Africa
T +971.4.886.4722
E lmeinfo@leviton.com

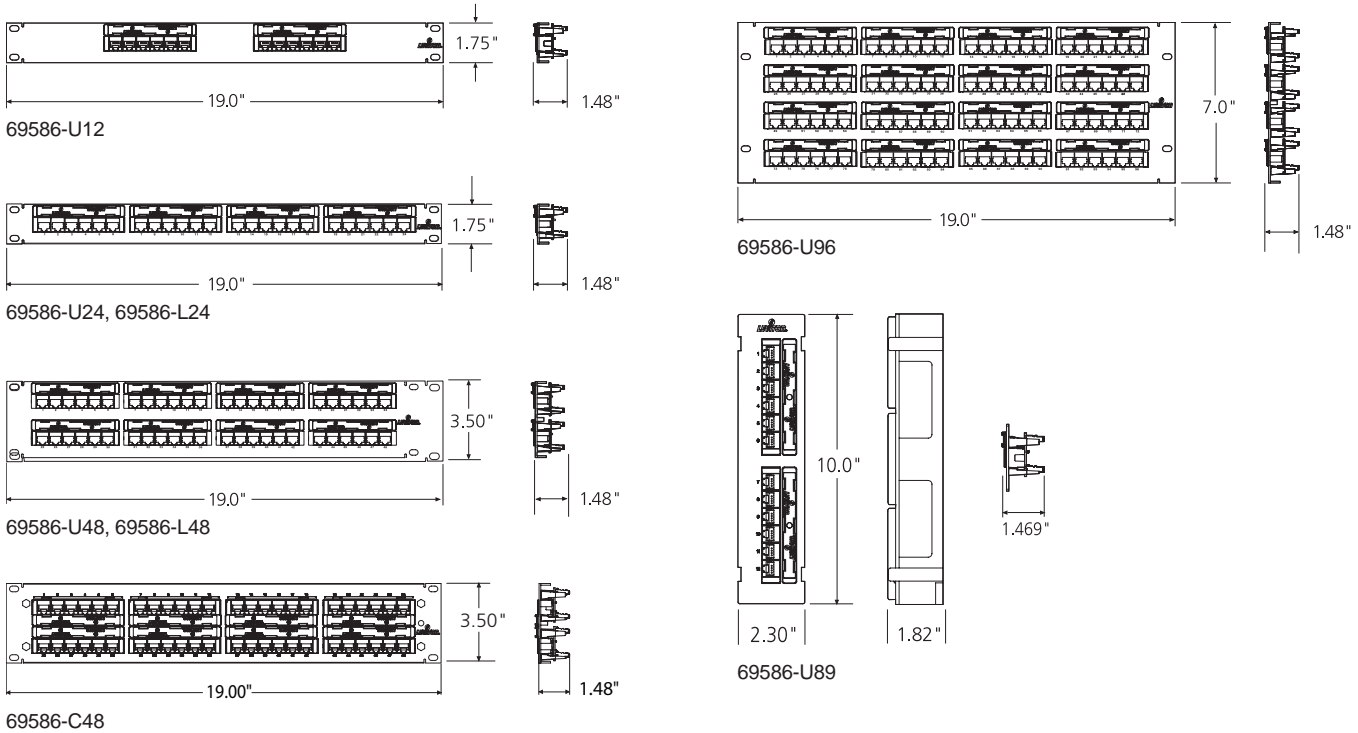
South Korea
T +82.2.3273.9963
E infokorea@leviton.com

WARRANTY INFORMATION

For a copy of Leviton product warranties, visit www.leviton.com/warranty.

ELECTRONIC FILES

For CAD files, typical specs, or technical drawings (.DXF, .DWG), visit www.leviton.com.



69586-xxx

PART NUMBERS	
Description	Part No.
Cat 6 Flat 110-Style Patch Panel, 12-Port, 1RU	69586-U12
Cat 6 Flat 110-Style Patch Panel, 24-Port, 1RU	69586-U24
Cat 6 Flat 110-Style Patch Panel with magnifying lens label holder, 24-Port, 1RU	69586-L24
Cat 6 Flat 110-Style Patch Panel, 48-Port, 2RU	69586-U48
Cat 6 Flat 110-Style Patch Panel with magnifying lens label holder, 48-Port, 2RU	69586-L48
Cat 6 Flat 110-Style Patch Panel, 48-Port, 2RU, centralized labeling	69586-C48
Cat 6 110-Style Patch Panel, 96-Port, 4RU	69586-U96
Cat 6 110-Style Patch Block, 12-Port	69586-U89

ANSI/TIA-568-C.2 CAT 6 PARAMETERS	Connecting Hardware Requirements*	
	@ 100MHz	@ 250MHz
Insertion Loss (IL)	0.20	0.32
Near-end Crosstalk (NEXT)	54.0	46.0
Far-end Crosstalk (FEXT)	43.1	35.1
Return Loss (RL)	24.0	16.0
Transverse Conversion Loss (TCL)	28.0	20.0
Transverse Conversion Transfer Loss (TCTL)	28.0	20.0

*All requirements are minimum allowable except IL requirements are maximum allowable. Connecting hardware shall meet requirements of all parameters from 1-250 MHz. Values in above table are only at specific frequencies and are for references only.



Leviton Network Solutions 2222 - 222nd St. SE Bothell, WA 98021-4416 tel 1-800-824-3005 tel +1-425-486-2222 appeng@leviton.com www.leviton.com	Asia / Pacific T +1.631.812.6228 E infoasean@leviton.com	Canada T +1.514.954.1840 E pcservice@leviton.com	Caribbean T +1.954.593.1896 E infocaribbean@leviton.com	China T +852.2774.9876 E infochina@leviton.com	Colombia T +57.1.743.6045 E infocolombia@leviton.com
	Europe T +33.6.8869.1380 E infoeurope@leviton.com	India / SAARC T +971.4.886.4722 E infoindia@leviton.com	Mexico T +52.55.5082.1040 E lsamarketing@leviton.com	Middle East & Africa T +971.4.886.4722 E lmeinfo@leviton.com	South Korea T +82.2.3273.9963 E infokorea@leviton.com