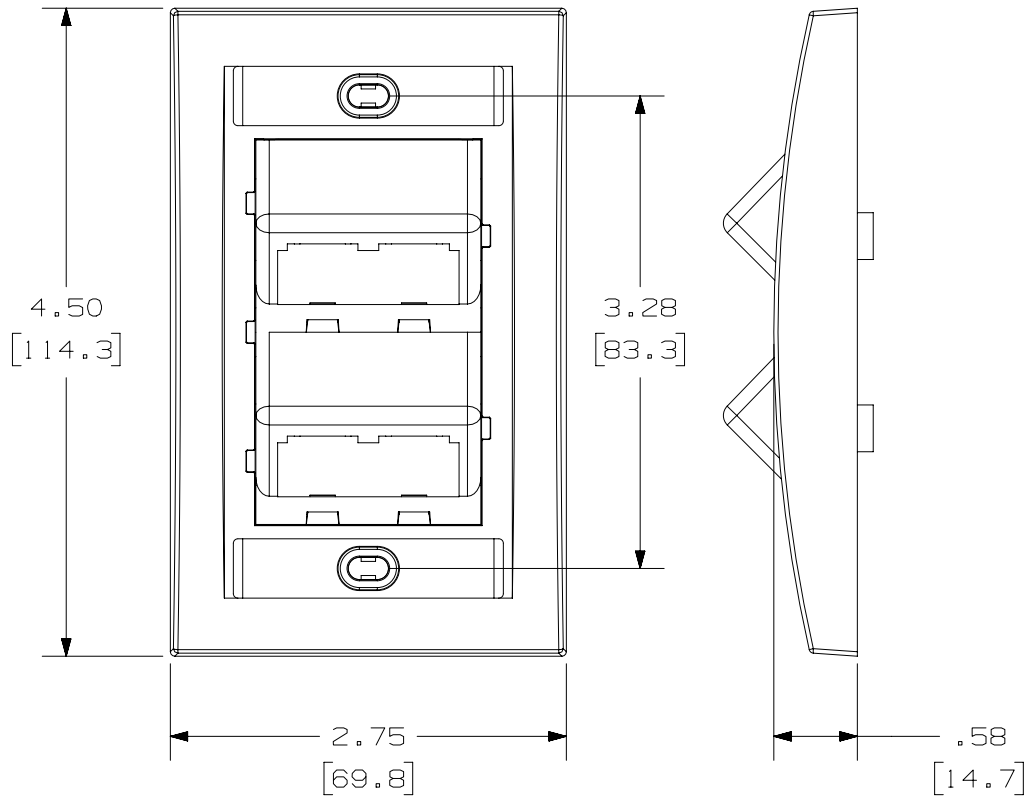
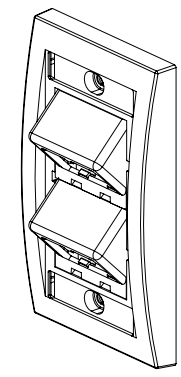


THIS COPY IS PROVIDED ON A RESTRICTED BASIS AND IS NOT TO BE USED IN ANY WAY DETRIMENTAL TO THE INTERESTS OF PANDUIT CORP.

PANDUIT P/N	WEIGHT
CFPSE4**Y	.91 LB/10 PCS (412.8 g/10 PCS.)



- NOTES:
1. SEE CURRENT CATALOG FOR ADDITIONAL PART NUMBER SUFFIXES TO INDICATE COLOR AND OR PACKAGE QUANTITY.
 2. SEE CATALOG FOR COMPLETE LIST OF PARTS APPLICABLE FOR USE WITH THIS PART.
 3. DIMENSIONS IN [] ARE METRIC.
 4. PART INCLUDES:
 - 1- CBE** FACEPLATE FRAME
 - 2- #6-32 X 1" MOUNTING SCREW
 - 2- LABEL
 - 2- LABEL COVER
 - 2- CHS2**-X INSERT



PART NUMBER		CFPSE4**Y	
TITLE			
MINI-COM 4 POSITION SLOPED EXECUTIVE SERIES FACEPLATE KIT			
CUSTOMER DRAWING			
ITEM REVISION NAME		M02479FA/02	
DATASET FILE NAME		M02479FA_DC133/00C	
UNLESS OTHERWISE SPECIFIED, DIMENSIONAL TOLERANCES ARE: IN [mm]		MATERIAL:	
.x ± .xxx ± .010 [.3]		ABS	
.xx ± .03 [.8]		DRAWING NUMBER:	
ANGLES ±		02479-133	
THIRD ANGLE PROJECTION		SHT 1 OF 1	
DRAWN BY	DATE	CHK	SCALE
JSP	4-27-06	TCK	NONE
REV	DATE	BY	CHK
2	4/15/14	JSP	REFR
APR	DESCRIPTION		ECN
MMR	REVISED AND REDRAWN; PREVIOUS REVISIONS HAVE BEEN OMITTED.		02479-133

D10100DA/14