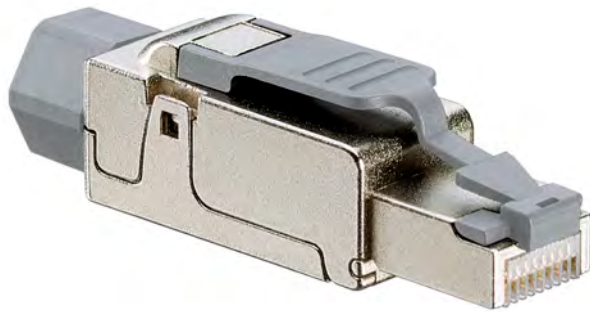


## Cat 6A Universal Tool-Free Plug

### APPLICATION

The Cat 6A Universal Tool-Free Plug supports 10GBASE-T networks. The universal connector provides superior alien crosstalk (AXT) suppression and protects critical data from potential EMI/RFI (electromagnetic interference/radio frequency interference). The plug is ideal for government, healthcare, manufacturing, transportation, gaming, and other environments where EMI/RFI and/or security may be a concern. The plug is especially useful for connecting directly to Ethernet devices in fixed locations.



### SPECIFICATION

The universal plug shall meet or exceed all requirements for Category 6A as described in ANSI/TIA-568-C.2, as well as Class E<sub>A</sub> requirements as described in ISO/IEC 11801. The plug shall comply with all National Electrical Codes, be compliant with ANSI/TIA-1096-A, and be UL listed. The plug shall be encased in a die-cast housing to protect it from potential EMI/RFI. The plug shall not require a specialized termination tool. The plug wiring shall accommodate T568 A/B wiring schemes. The plug shall accommodate 26-22 AWG solid or stranded conductors, and shall support Power over Ethernet up to 100 watts.

### COUNTRY OF ORIGIN

Taiwan

### FEATURES

- Offers easy field termination without special tools
- Robust die-cast housing provides durability and shielding benefits
- Shielding provides EMI/RFI protection, signal isolation, and excellent alien crosstalk (AXT) suppression
- Terminates from 26- to 22-gauge solid or stranded conductors for use on various cable types
- 360° shield housing provides secure data transmission
- Long release latch ensures easy insertion and removal in confined spaces

### DESIGN CONSIDERATIONS

- Suitable for use with Cat 6A and lower shielded and unshielded cable
- Terminate to horizontal cable when connecting to Ethernet devices placed in fixed locations
- Verify that the plug housing will fit into the available opening for the application. For extremely tight openings, consider using an Atlas-X1 connector with a patch cord
- After installation, test the connector-plug link using the method for a Modular Plug Terminated Link, as described in ANSI/TIA-568.2-D

### STANDARDS COMPLIANCE

- ANSI/TIA-568.2-D (Cat 6A)
- ISO/IEC 11801 Class E<sub>A</sub>
- cULus Listed
- RoHS 2
- IEC 60603-7
- IEC 60512-5-2
- IEC 60512-99-001
- ANSI/TIA-1096-A
- IEEE 802.3at (Type 1)
- IEEE 802.3at (Type 2) PoE+ up to 30 watts
- IEEE Draft 802.3bt (Type 3) PoE+ up to 60 watts
- IEEE Draft 802.3bt (Type 4) PoE+ up to 100 watts
- Cisco Universal Power Over Ethernet (UPOE) up to 60 watts
- Power over HDBaseT™ (POH) up to 100 watts

### PHYSICAL SPECIFICATIONS

Dimensions: See page 2  
Conductor Size: 26-22 AWG (solid or stranded)  
Cable Diameter: 0.24-0.31 inches (6.0 mm-8.0 mm)  
Storage Temp: -40°C to +70°C  
Operating Temp: -10°C to +60°C  
Materials: Connector body: Die-cast zinc  
Latch and nut: Nylon 94-V0

#### Leviton Network Solutions

2222 - 222nd St. SE  
Bothell, WA 98021-4416

tel 1-800-824-3005  
tel +1-425-486-2222  
appeng@leviton.com  
www.leviton.com

#### Asia / Pacific

T +1.631.812.6228  
E infoasean@leviton.com

#### Europe

T +44.0.1592.772124  
E customerservice@brand-rex.com

#### Canada

T +1.514.954.1840  
E pcservice@leviton.com

#### India / SAARC

T +971.4.886.4722  
E infoindia@leviton.com

#### Caribbean

T +1.954.593.1896  
E infocaribbean@leviton.com

#### Mexico

T +52.55.5082.1040  
E lsamarketing@leviton.com

#### China

T +852.2774.9876  
E infochina@leviton.com

#### Middle East & Africa

T +971.4.886.4722  
E lmeinfo@leviton.com

#### Colombia

T +57.1.743.6045  
E infocolombia@leviton.com

#### South Korea

T +82.2.3273.9963  
E infokorea@leviton.com

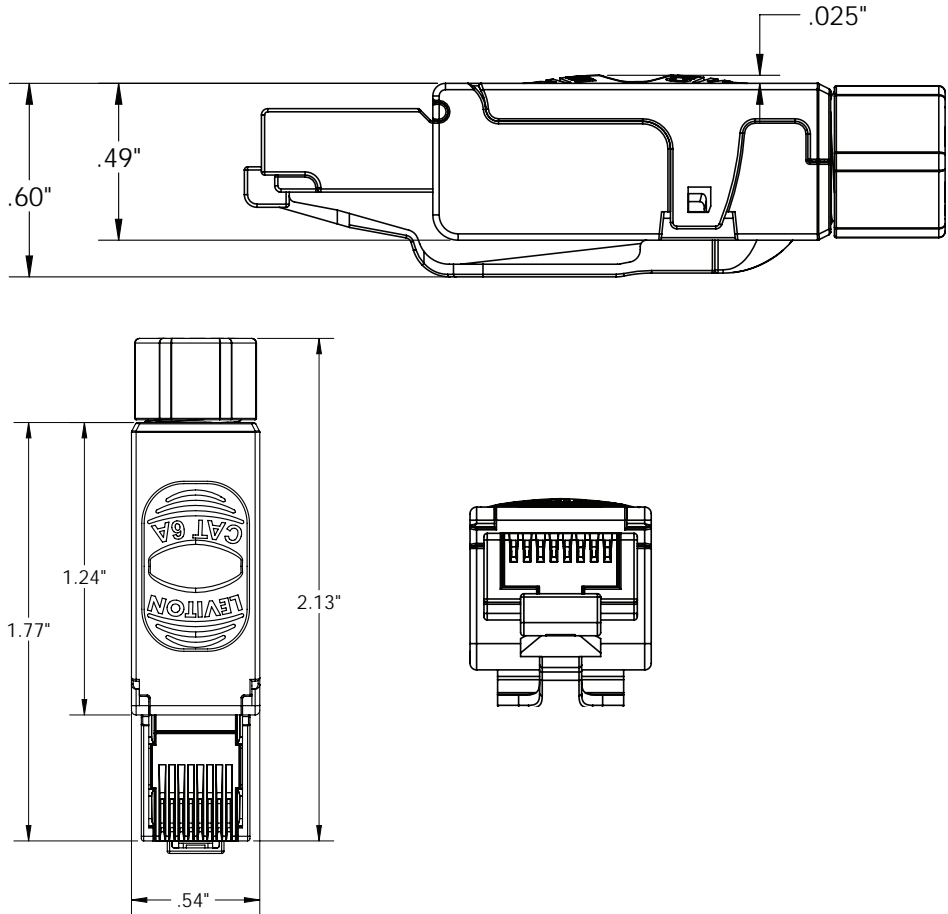
**WARRANTY INFORMATION**

Limited Product and Limited Extended Warranties are rendered VOID if the installed structured cabling system is used for PoE applications that exceed the product's specified power rating. For a copy of Leviton product warranties, visit [www.leviton.com/warranty](http://www.leviton.com/warranty).

**ELECTRONIC FILES**

For CAD files, typical specs, or technical drawings (.DXF, .DWG), visit [www.leviton.com](http://www.leviton.com).

**6APLG-S6A**



PART NUMBERS	
Description	Part No.
Cat 6A Universal Tool-Free Plug	6APLG-S6A



<p><b>Leviton Network Solutions</b> 2222 - 222nd St. SE Bothell, WA 98021-4416</p> <p>tel 1-800-824-3005 tel +1-425-486-2222 appeng@leviton.com www.leviton.com</p>	<p><b>Asia / Pacific</b> T +1.631.812.6228 E infoasean@leviton.com</p>	<p><b>Canada</b> T +1.514.954.1840 E pcservice@leviton.com</p>	<p><b>Caribbean</b> T +1.954.593.1896 E infocaribbean@leviton.com</p>	<p><b>China</b> T +852.2774.9876 E infochina@leviton.com</p>	<p><b>Colombia</b> T +57.1.743.6045 E infocolombia@leviton.com</p>
<p><b>Europe</b> T +44.0.1592.772124 E customerservice@brand-rex.com</p>	<p><b>India / SAARC</b> T +971.4.886.4722 E infoindia@leviton.com</p>	<p><b>Mexico</b> T +52.55.5082.1040 E isamarketing@leviton.com</p>	<p><b>Middle East &amp; Africa</b> T +971.4.886.4722 E lmeinfo@leviton.com</p>	<p><b>South Korea</b> T +82.2.3273.9963 E infokorea@leviton.com</p>	